



More information on the website  
radwag.com/ja/info,w1,CEP

# IM01.EX-8/2

WX-016-0184



The drawings, photos and graphics used are for illustrative purposes only.

## Technical Specifications

Dimensions	
IP Rating	IP 66 / 68 (1,5m)
Weight	0.15 kg
ATEX	II (2)G [Ex ib] IIC Gb II (2)D [Ex ib] IIIC Db
Interfaces	2xRS232, USB, 4IN / 4OUT, Ethernet, RS485, 4-20 mA / 0-10 V
Power Supply	
Voltage	100 – 240 V AC 50/60 Hz
Power max.	10 W
Temperature	
Operating	-10 – +40 °C
Storage	-20 – +60 °C
Humidity	10% – 85% RH

IM01.EX

IM01.EX

222×146×81 mm

IM01

1,9 kg

IM01

2,5 kg



## IM01 (Additional Fee)

HX5.EX-1.4P2 H IM01

HX5.EX-1 HR IM01 1 IM01

RS 232 IM01 (IM01 - IM01)

HX5.EX-1.4P2 C IM01

HX5.EX-1.4N IM01

HX5.EX-1.4 C 4 IM01

HX5.EX-1.4P H IM01

HX5.EX-1.4 H/Z IM01

HX5.EX-1 C 1-IM01

HX5.EX-1 H IM01

PUE HX5.EX IM01

HX5.EX-1.4 H IM01 4 IM01

RS 232/RS 485 IM01

IN/OUT IM01

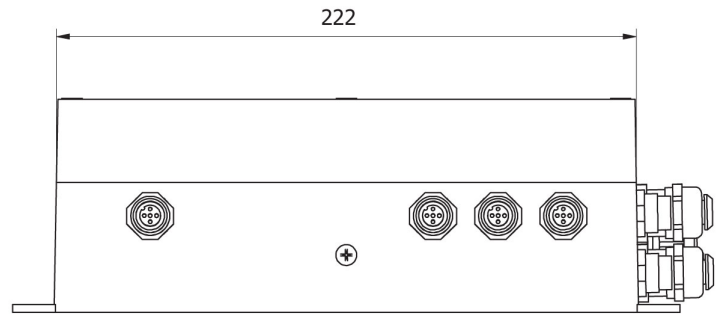
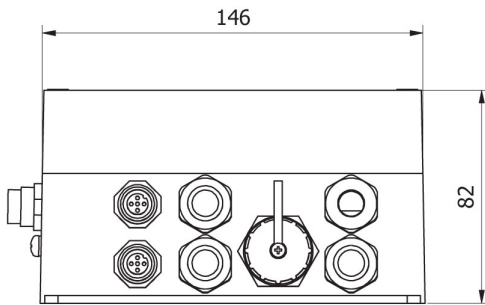
HX5.EX-1.4P C IM01

USB IM01

USB cable (IM01 - IM01)

RS 232 - USB IM01

IM01



IM01.EX