



More information on the website
radwag.com/it/info,w1,CB2

Postazione di lavoro per calibrazione pipette SDKP



The drawings, photos and graphics used are for illustrative purposes only.

Specifiche

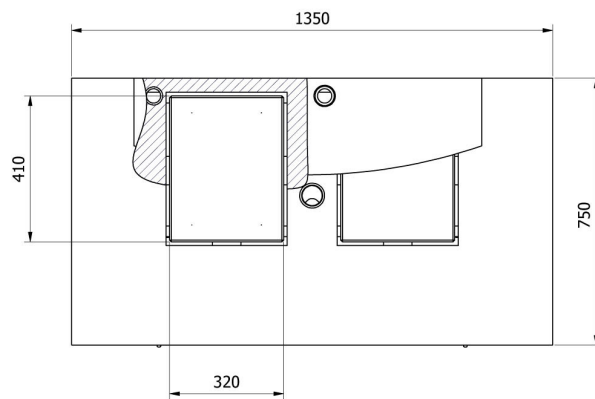
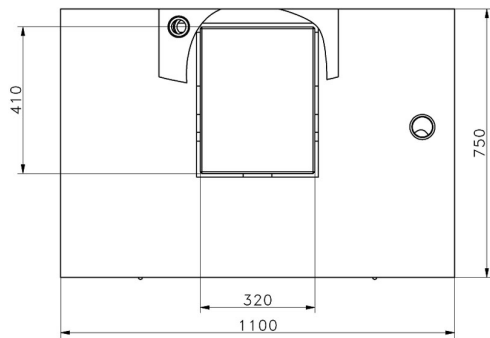
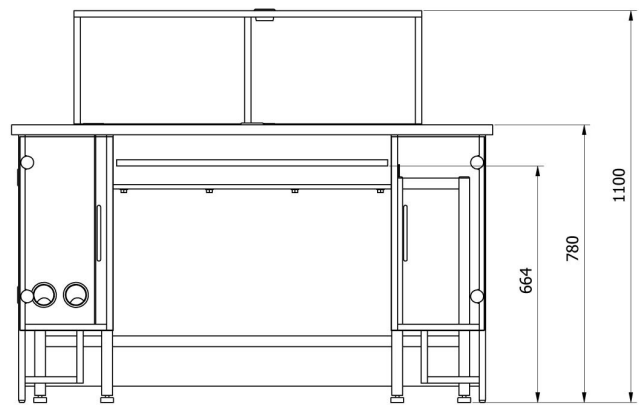
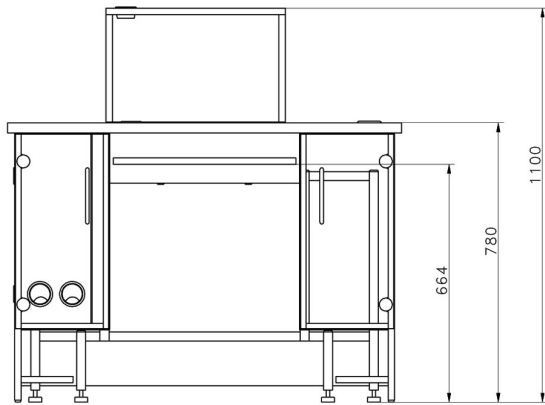
| Parametri fisici | |
|------------------------|--|
| Componenti del kit | table for calibration, anti-vibration table, probe for temperature, humidity and pressure measurement, probe for water temperature measurement, sink for used water, armrests, LCD monitor, PC with pre-installed software PIPETTES RADWAG, power supply, keyboard and mouse, container for used water |
| Dimensioni del pacco | 820x1160x890 mm |
| Lunghezza | 1100 mm |
| Larghezza | 750 mm |
| Altezza | 1100 mm |
| Number of workstations | 1 |

Compatibile con

Microbilancia per la calibrazione delle pipette XA 5Y.M.A.P
Microbilancia per la calibrazione delle pipette MYA 5Y.P
AS X7 Bilancia analitica
Bilance analitiche AS X2 PLUS
Puntali per pipette

Bilancia analitica AS 5Y
Bilancia analitica AS R2 PLUS
Bilancia analitica AS R1 PLUS
THBR 2.0 - modulo misura parametri ambientali

Device dimensions



—SDKP

—SDKP DUAL