



More information on the website
radwag.com/us/info,w1,BK3

DJ-05 Antistatic ionizer



The drawings, photos and graphics used are for illustrative purposes only.

Datasheet

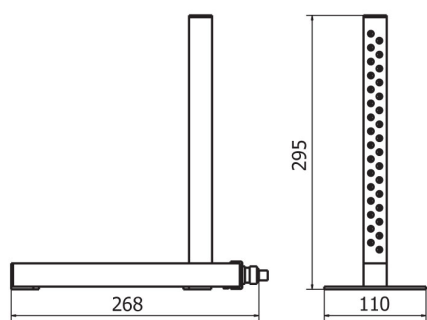
Power supply	100 – 240 V AC 50/60 Hz
Operating temperature	0 – +40 °C
Relative humidity	5% – 80%
Distance form a sample	Ok. 5 – 50 mm
Ion source	stainless steel
Physical parameters	
Frame dimensions	175×70×172 mm
Packaging dimensions	375×375×130 mm
Net weight	1,3 kg
Gross weight	2,5 kg

Compatible with

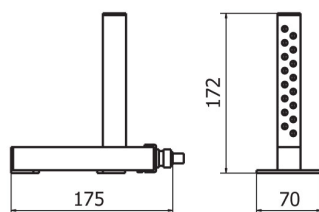
MYA 5Y.P Microbalance for pipettes calibration
 MYA 5Y.F Microbalance for Filters

MYA 5Y Microbalance
 UYA 5Y.F Ultra-Microbalance for Filters

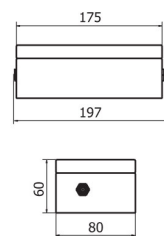
Device dimensions



DJ-04



DJ-05



power supply
