



More information on the website  
[radwag.com/us/info,w1,BK3](http://radwag.com/us/info,w1,BK3)

# DJ-05 Antistatic ionizer



The drawings, photos and graphics used are for illustrative purposes only.

## Datasheet

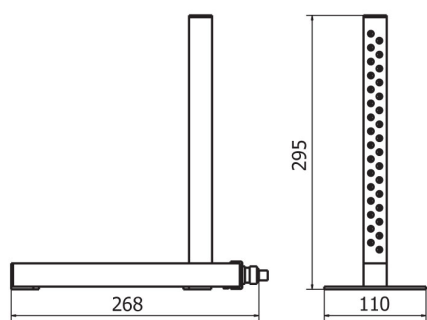
Power supply	100 – 240 V AC 50/60 Hz
Operating temperature	0 – +40 °C
Relative humidity	5% – 80%
Distance form a sample	Ok. 5 – 50 mm
Ion source	stainless steel
<b>Physical parameters</b>	
Frame dimensions	175×70×172 mm
Packaging dimensions	375×375×130 mm
Net weight	1,3 kg
Gross weight	2,5 kg

## Compatible with

MYA 5Y.P Microbalance for pipettes calibration  
 MYA 5Y.F Microbalance for Filters

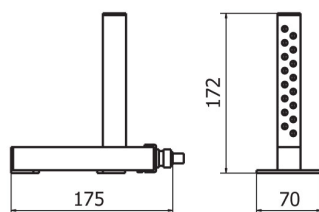
MYA 5Y Microbalance  
 UYA 5Y.F Ultra-Microbalance for Filters

## Device dimensions



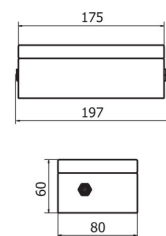
DJ-04

---



DJ-05

---



power supply

---