



More information on the website
radwag.com/en/info,w1,BK3

DJ-05 Antistatic Ionizer



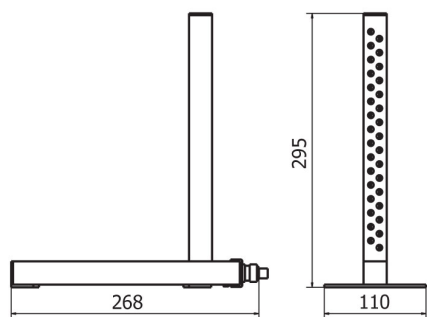
The drawings, photos and graphics used are for illustrative purposes only.

Datasheet

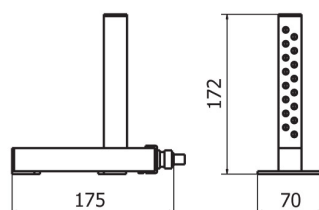
Electrical parameters	
Power supply	100 – 240 V AC 50/60 Hz
Environmental conditions	
Operating temperature	0 ÷ +40 °C
Relative humidity	5% ÷ 80%
Distance form a sample	Ok. 5 ÷ 50 mm
Ion source	stainless steel
Physical parameters	
Frame dimensions	175×70×172 mm
Packaging dimensions	375×375×130 mm
Net weight	1.3 kg
Gross weight	2.5 kg

Compatible with

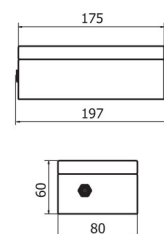
Device dimensions



DJ-04



DJ-05



power supply