



More information on the website
radwag.com/en/info,w1,BK3

DJ-05 Antistatic Ionizer



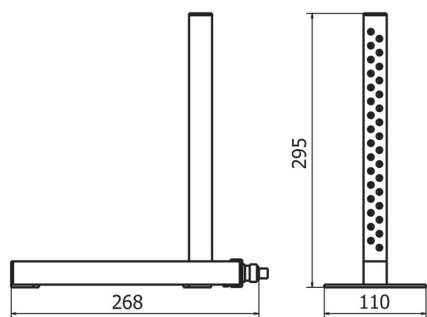
The drawings, photos and graphics used are for illustrative purposes only.

Datasheet

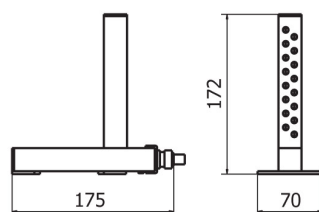
| Electrical parameters | |
|--------------------------|-------------------------|
| Power supply | 100 – 240 V AC 50/60 Hz |
| Environmental conditions | |
| Operating temperature | 0 ÷ +40 °C |
| Relative humidity | 5% ÷ 80% |
| Distance form a sample | Ok. 5 ÷ 50 mm |
| Ion source | stainless steel |
| Physical parameters | |
| Frame dimensions | 175×70×172 mm |
| Packaging dimensions | 375×375×130 mm |
| Net weight | 1.3 kg |
| Gross weight | 2.5 kg |

Compatible with

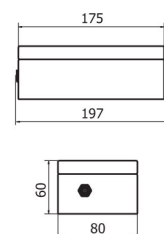
Device dimensions



DJ-04



DJ-05



power supply