



More information on the website  
[radwag.com/en/info,w1,BJ8](https://radwag.com/en/info,w1,BJ8)

## Ramp for C11 3000kg Scale



The drawings, photos and graphics used are for illustrative purposes only.

### Datasheet

Metrological parameters	
Max readability for non-verified scale	200 g
Construction	
Material	mild steel
Physical parameters	
Platform size	2000×1995 mm

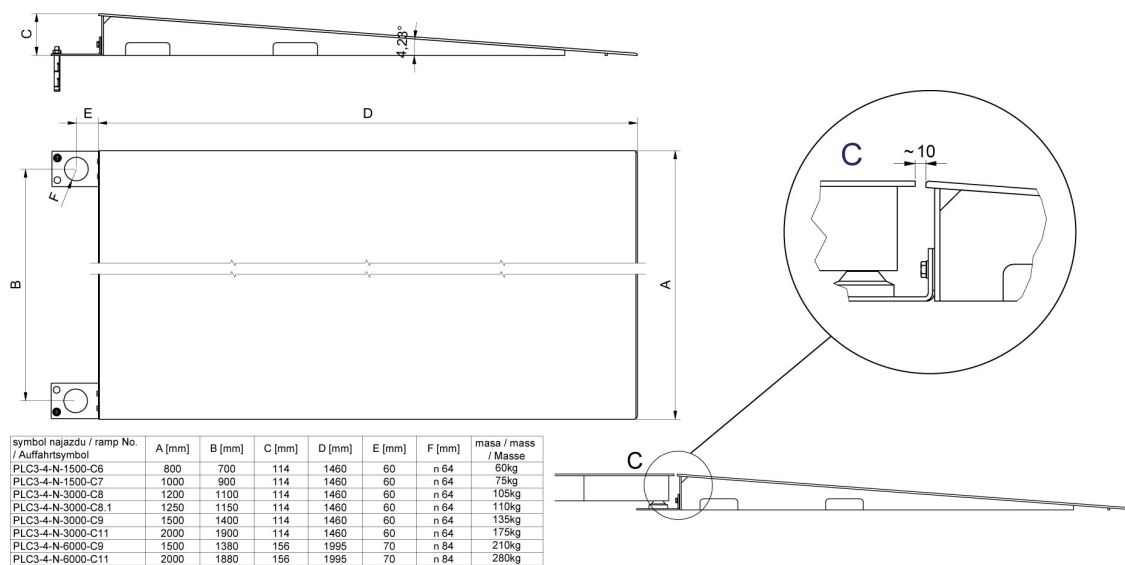


### Compatible with

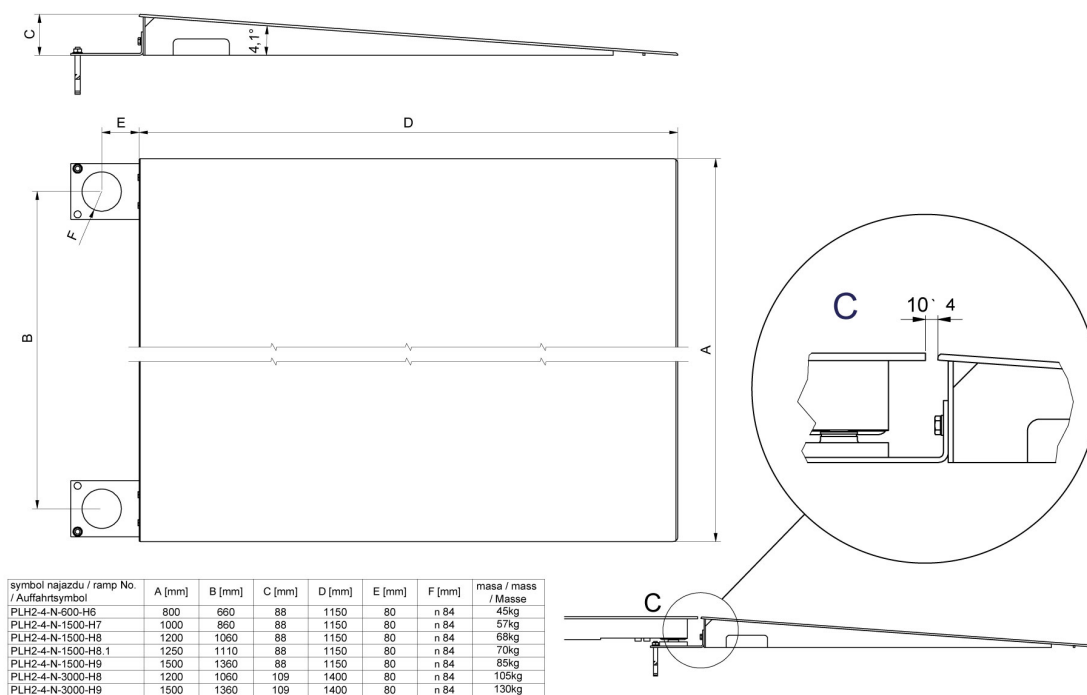
HX7.4C Multifunctional Platform Scale  
C315.4 Platform Scale

H315 4C Platform Scale

# Device dimensions



## Ramps made of powder-coated steel



## Ramps made of stainless steel