



More information on the website
radwag.com/us/info,w1,BIP

HY10.600.HRP.M2.1 High Resolution Scale



The drawings, photos and graphics used are for illustrative purposes only.

Functions

-  Dosing
-  Labelling
-  Plus/Minus Control
-  Percent Weighing
-  Totalizing
-  Parts counting
-  Peak hold
-  Formulation
-  Newton unit measurement
-  Statistics
-  Checkweighing
-  GLP Procedures
-  Animal weighing
-  Differential weighing
-  Replaceable unit
-  Statistical Quality Control
-  ALIBI Memory
-  Transactions

Datasheet

| | |
|------------------------|--------|
| Maximum capacity [Max] | 600 kg |
| Minimum load | 500 g |
| Preload range | 60 kg |
| Readability [d] | 10 g |

| | |
|--|---|
| Verification unit [e] | 100 g |
| Tare range | -600 kg |
| Repeatability | 7,5 g |
| Linearity | ±15 g |
| Stabilization time | 3 s |
| Adjustment | internal (automatic) |
| OIML Class | II |
| Maximum quantity of verification units | 6000 e |
| Physical parameters | |
| Display | 10" graphic colour touchscreen |
| Weighing pan dimensions | 1000×800 mm |
| Packaging dimensions | 1000×1200×666 mm |
| Net weight | 126 kg |
| Gross weight | 160 kg |
| Construction | |
| Protection class | IP 66/67 construction, IP 68/69 indicator |
| Construction | mild steel St3S |
| Weighing pan material | Stainless steel AISI304 |
| Communication interface | 2×RS232, 2×USB-A, Ethernet, 4 IN / 4 OUT (digital) |
| Optional interfaces | module Wi-Fi 802.11 b/g/n, module Profibus (DP SLAVE), module RS485, module PROFINET (RJ45), analog output module (4-20mA, 0-20mA, 0-10V) , 12IN / 12OUT (IN – 5-24 VDC, OUT – max 30 VDC, 0,5 ADC) |
| Power supply | 100 – 240 V AC 50/60 Hz |
| Operating temperature | +10 ÷ +40 °C |
| Relative humidity | 40% ÷ 80% |

* Wi-Fi® is a registered trademark of Wi-Fi® Alliance.



Extra payment for verification



Accessories

RS 232 cables (scale - printer)
 Transponder card readers
 RS 232 cables (scale - ZEBRA printer)
 RS 232 cables (scale - Ethernet)
 Displays
 RS 232, RS 485 cables
 IN/OUT Cables
 Barcode scanners

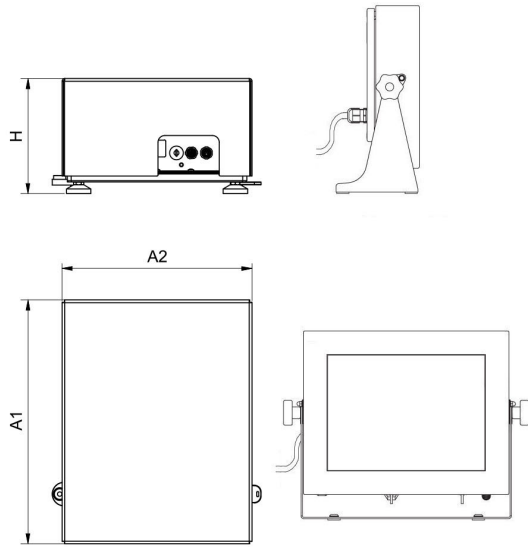
Label Printers
 Stands, wall mounting kits and mounting brackets
 Keypad, external switches
 Receipt Printer
 USB cable (scale - printer)
 Additional Weighing platforms Module
 Additional modules
 RS 232 – USB Converter

Software

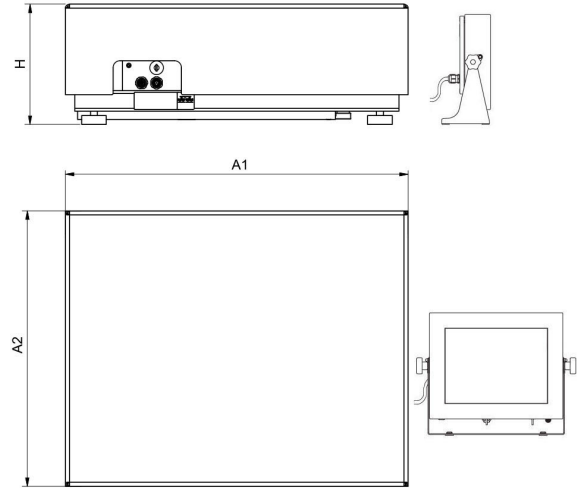
- E2R Weighing [WX-010-0099]
- E2R Weighing Records [WX-010-0038]
- Audit Trail Reader [WX-010-0186]
- RADWAG Remote Desktop [WX-010-0107]
- RADWAG Development Studio [WX-010-0104]

- E2R Formulations [WX-010-0043]
- RAD Key [WX-010-0005]
- Label Editor R02 [WX-010-0094]
- Scale Editor - EWAG 2.1 [WX-010-0173]

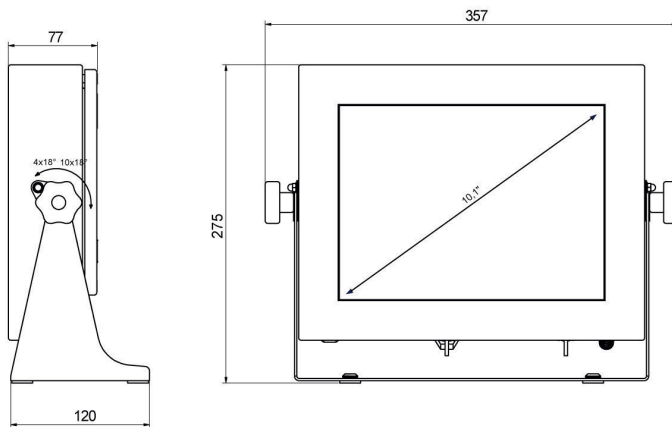
Device dimensions



HY10.16 - 32.HRP



HY10.HRP



PUE HY10

| Scale type | A1 | A2 | H |
|-----------------------|------|------|-------|
| HY10.(16-32).HRP | 360 | 280 | 180±5 |
| HY10.(62-150).HRP | 500 | 400 | 180±5 |
| HY10.150.2.HRP | 500 | 500 | 180±5 |
| HY10.(150.1-300).HRP | 800 | 600 | 180±5 |
| HY10.(300.1-1100).HRP | 1000 | 800 | 180±5 |
| HY10.(2000).HRP | 1250 | 1000 | 180±5 |

Dimensions in mm