



More information on the website  
[radwag.com/tr/info,w1,B97](http://radwag.com/tr/info,w1,B97)

## KIT 128 Yoğunluk Tespit Kiti



The drawings, photos and graphics used are for illustrative purposes only.

### Genel Açıklama

KIT 128 is a density determination kit intended for laboratory balances featuring 128x128 weighing pan.

This stainless steel accessory allows determining density of:

solids, liquids.

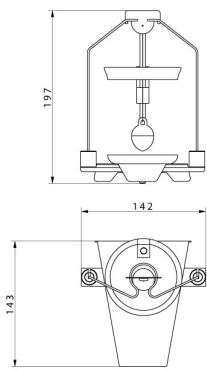
For testing granulates of density value higher or lower than 1 g/cm<sup>3</sup> use KIT 85.

### İle uyumlu

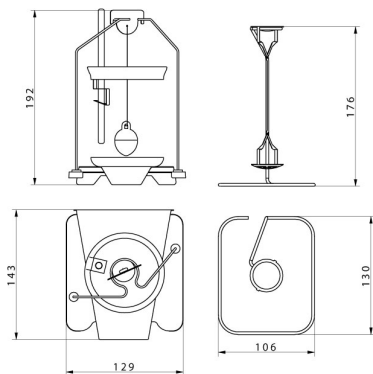
PS X7 Hassas Teraziler  
PS 5Y Hassas Teraziler  
PS X2 Hassas Teraziler

PS R1 Hassas Teraziler  
PS R2 Hassas Teraziler  
PGC için PS X2 terazileri

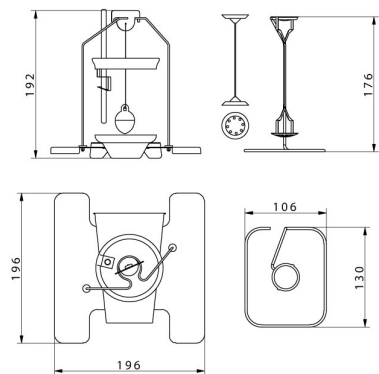
# Cihaz boyutları



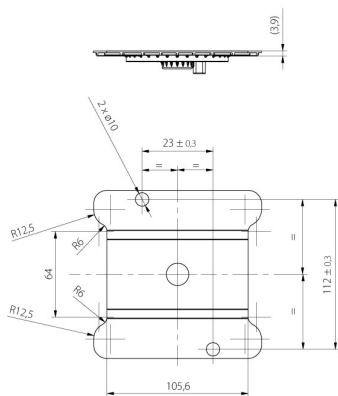
KIT 85



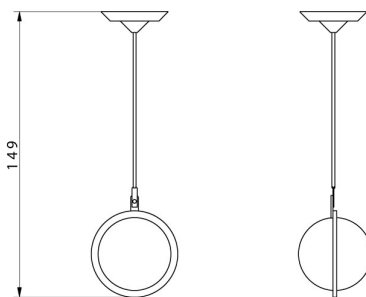
KIT 128



KIT 195



KIT 195.M



Granule density  
determination KIT