



More information on the website
radwag.com/tr/info,w1,B97

KIT 128 Yoğunluk Tespit Kiti



The drawings, photos and graphics used are for illustrative purposes only.

Genel Açıklama

KIT 128 is a density determination kit intended for laboratory balances featuring 128x128 weighing pan.

This stainless steel accessory allows determining density of:

solids, liquids.

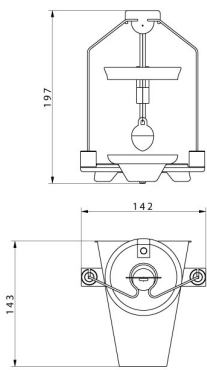
For testing granulates of density value higher or lower than 1 g/cm³ use KIT 85.

İle uyumlu

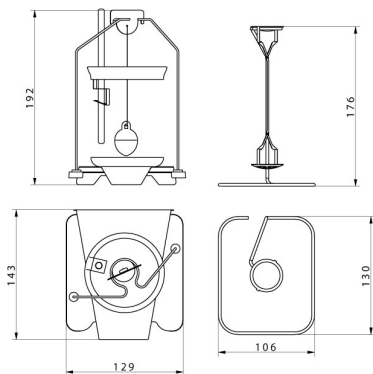
PS X7 Hassas Teraziler
PS 5Y Hassas Teraziler
PS X2 Hassas Teraziler

PS R1 Hassas Teraziler
PS R2 Hassas Teraziler
PGC için PS X2 terazileri

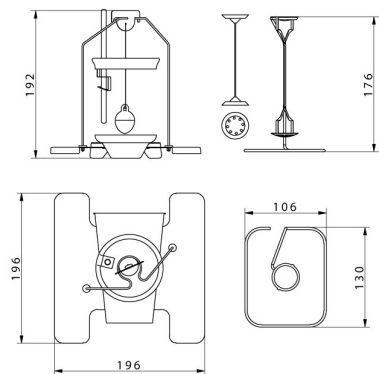
Cihaz boyutları



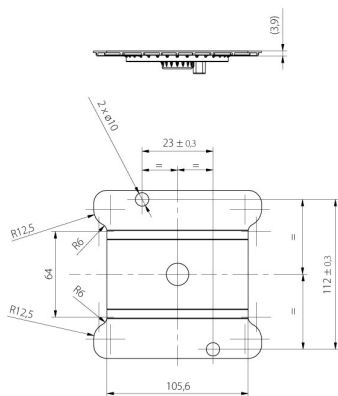
KIT 85



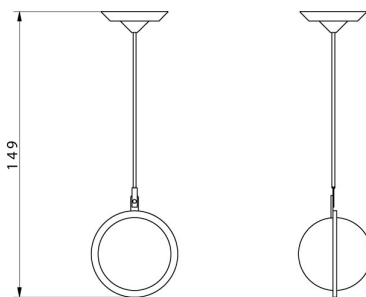
KIT 128



KIT 195



KIT 195.M



Granule density
determination KIT