



More information on the website  
[radwag.com/en/info,w1,B5C](http://radwag.com/en/info,w1,B5C)

# PSW Professional Single Weighing Workstation



The drawings, photos and graphics used are for illustrative purposes only.

## Datasheet

| Physical parameters    |   |
|------------------------|---|
| Delivery components    | table for calibration, anti-vibration table |
| Packaging dimensions   | 1160×820×986 mm                             |
| Net weight             | 150 kg (table 110 + stone 40)               |
| Gross weight           | 171 kg                                      |
| Length                 | 1100 mm                                     |
| Width                  | 750 mm                                      |
| Height                 | 1100 mm                                     |
| Number of workstations | 1   |



## Compatible with

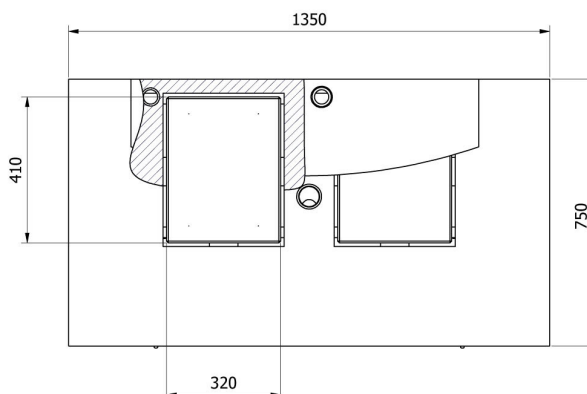
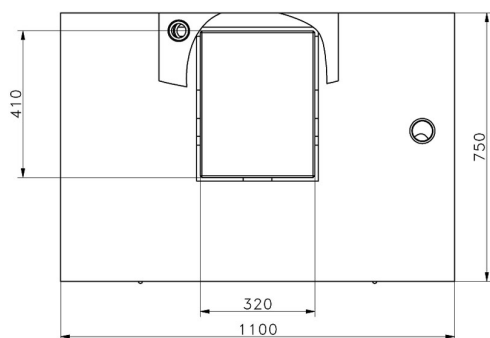
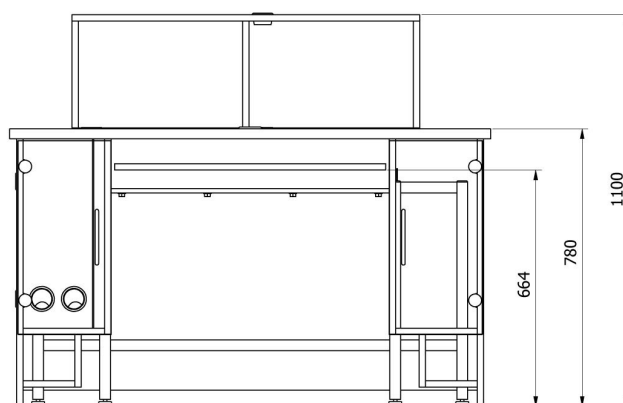
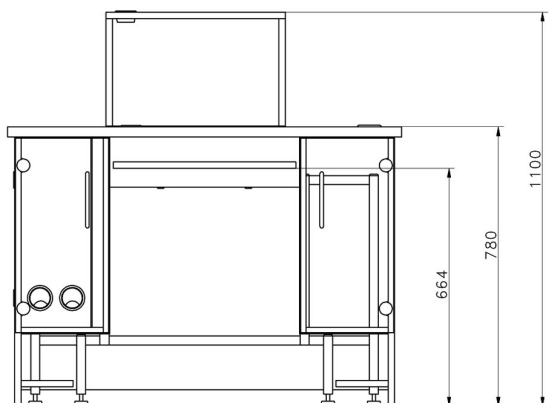
MAS1 Modules  
 XA 5Y.M.A.P Microbalance for pipettes calibration  
 Microbalance for Pipette Calibration MYA 5Y.P

AS 5Y Analytical Balance  
 CY10 Precision Balance  
 XA 5Y.F Analytical Balance for Filters

5Y.PM Precision Balance  
 Microbalance for Filters MYA 5Y.F  
 AS X7 Analytical Balance  
 AS X2 PLUS Analytical Balances  
 XA 5Y.M.A Microbalance  
 MAS Modules  
 MPS Modules  
 C32.PM Precision Balance  
 XA 5Y.A Analytical Balance  
 UYA 5Y Ultra-Microbalance

MYA 5Y Microbalance  
 XA 5Y Analytical Balance  
 AS R2 PLUS Analytical Balance  
 PS 5Y Precision Balance  
 XA 5Y.M Microbalance  
 UYA 5Y.KO Manual Mass Comparator  
 AS R1 PLUS Analytical Balance  
 Ultra-Microbalance for Filters UYA 5Y.F  
 XA 5Y.M.A.S Microbalance for stents weighing

## Device dimensions



—SDKP

—SDKP DUAL