



More information on the website
radwag.com/en/info,w1,B5C

PSW Professional Single Weighing Workstation



The drawings, photos and graphics used are for illustrative purposes only.

Datasheet

Physical parameters	
Delivery components	table for calibration, anti-vibration table
Packaging dimensions	1160×820×986 mm
Net weight	150 kg (table 110 + stone 40)
Gross weight	171 kg
Length	1100 mm
Width	750 mm
Height	1100 mm
Number of workstations	1



Compatible with

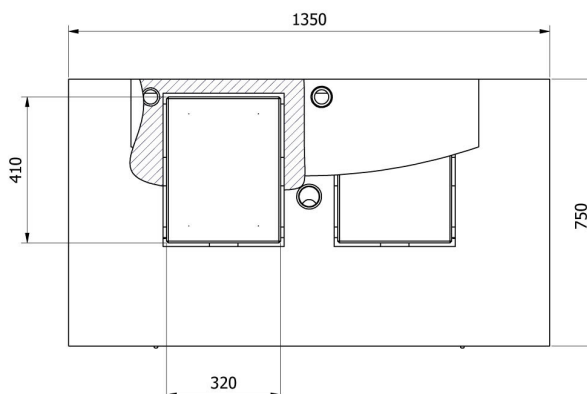
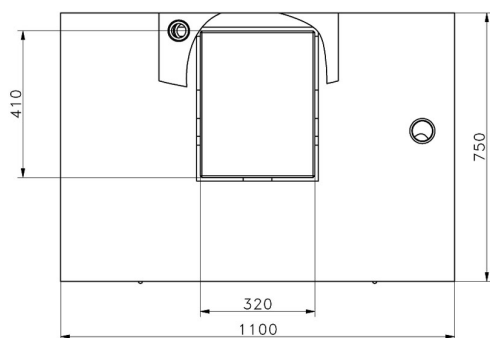
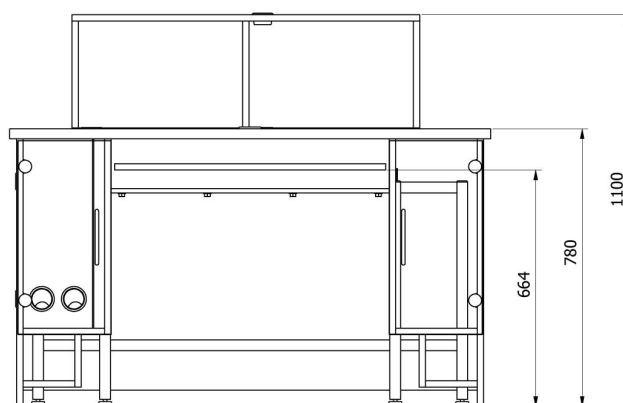
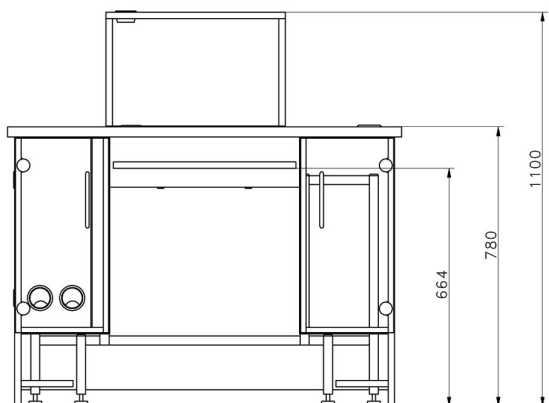
MAS1 Modules
 XA 5Y.M.A.P Microbalance for pipettes calibration
 Microbalance for Pipette Calibration MYA 5Y.P

AS 5Y Analytical Balance
 CY10 Precision Balance
 XA 5Y.F Analytical Balance for Filters

5Y.PM Precision Balance
 Microbalance for Filters MYA 5Y.F
 AS X7 Analytical Balance
 AS X2 PLUS Analytical Balances
 XA 5Y.M.A Microbalance
 MAS Modules
 MPS Modules
 C32.PM Precision Balance
 XA 5Y.A Analytical Balance
 UYA 5Y Ultra-Microbalance

MYA 5Y Microbalance
 XA 5Y Analytical Balance
 AS R2 PLUS Analytical Balance
 PS 5Y Precision Balance
 XA 5Y.M Microbalance
 UYA 5Y.KO Manual Mass Comparator
 AS R1 PLUS Analytical Balance
 Ultra-Microbalance for Filters UYA 5Y.F
 XA 5Y.M.A.S Microbalance for stents weighing

Device dimensions



—SDKP

—SDKP DUAL