



More information on the website
radwag.com/en/info,w1,AWP

PL/4/3000/H8 Platform



The drawings, photos and graphics used are for illustrative purposes only.

Datasheet

| Metrological parameters | |
|--------------------------|-------------------------|
| Maximum capacity [Max] | 3000 kg |
| Readability [d] | 1 kg |
| Construction | |
| Protection class | IP 68 |
| Construction | Stainless steel AISI304 |
| Weighing pan material | Stainless steel AISI304 |
| Physical parameters | |
| Weighing pan dimensions | 1200×1200 mm |
| Weighing platform height | 111 mm |

Readability accuracy – expected value, dependent on the parameters of the measuring transmitter used.



Accessories

PUE 5 Weighing Terminal
PUE 7.1 Weighing Terminal
PUE HX7 Weighing Terminal

PUE HY10 Weighing Terminal
Frame for embedded scales

Device dimensions



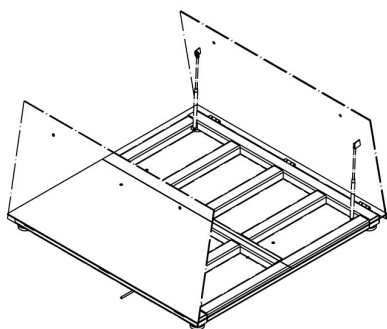
| Platform | A | B | H |
|------------|------|------|---------|
| PLC/4/C6 | 800 | 800 | 120 ±10 |
| PLC/4/C7 | 1000 | 1000 | 120 ±10 |
| PLC/4/C8 | 1200 | 1200 | 120 ±10 |
| PLC/4/C8/9 | 1200 | 1500 | 120 ±10 |
| PLC/4/C9 | 1500 | 1500 | 120 ±10 |
| PLC/4/C10 | 1500 | 2000 | 120 ±10 |
| PLC/4/C11 | 2000 | 2000 | 120 ±10 |

dimensions in mm

PLC/4/C



PL/4/H6/Z
 PL/4/H7/Z
 PL/4/H8/Z



PL/4/H8/9/Z
 PL/4/H9/Z
 PL/4/H10/Z



| Platform | A | B | H |
|-----------|------|------|--------|
| PL/4/H6 | 800 | 800 | 88 ±2 |
| PL/4/H7 | 1000 | 1000 | 88 ±2 |
| PL/4/H8 | 1200 | 1200 | 88 ±2 |
| PL/4/H8/9 | 1200 | 1500 | 88 ±2 |
| PL/4/H9 | 1500 | 1500 | 88 ±2 |
| PL/4/H10 | 1500 | 2000 | 111 ±2 |

dimensions in mm

PL/4/H



| Platform | A | B | H |
|-------------|------|------|--------|
| PL/4/H6/Z | 800 | 800 | 88 ±2 |
| PL/4/H7/Z | 1000 | 1000 | 88 ±2 |
| PL/4/H8/Z | 1200 | 1200 | 88 ±2 |
| PL/4/H8/9/Z | 1200 | 1500 | 88 ±2 |
| PL/4/H9/Z | 1500 | 1500 | 88 ±2 |
| PL/4/H10/Z | 1500 | 2000 | 111 ±2 |

dimensions in mm

PL/4/H/Z