



More information on the website
radwag.com/en/info,w1,AUC

HX7.6.H2 Multifunctional Scale



The drawings, photos and graphics used are for illustrative purposes only.

Functions



Dosing



Percent Weighing



Parts counting



Formulation



Replaceable unit



ALIBI Memory

Datasheet

Metrological parameters	
Maximum capacity [Max]	6 kg
Minimum load	40 g
Readability [d]	2 g
Verification unit [e]	2 g
Tare range	-6 kg
Max readability for non-verified scale	0.2 g
OIML Class	III
Physical parameters	
Display	7" graphic colour

Physical parameters	
Weighing pan dimensions	250×300 mm
Packaging dimensions	310×560×490 mm
Net weight	10.2 kg
Gross weight	12.7 kg
Construction	
Protection class	IP 67 construction, IP 66/68 indicator
Keypad	membrane
Construction	Stainless steel AISI304
Weighing pan material	Stainless steel AISI304
Communication interface	
Communication interface	RS232, USB-A, 4IN, 4OUT, Ethernet, Modbus RTU
Optional interfaces	USB (M12 4P), Ethernet, module RS485, module RS232, module Profibus (Dp SLAVE), PROFINET (RRJ45), EtherNet/IP (RRJ45), 12 IN, 12 OUT, 4-20mA, 0-10V
Electrical parameters	
Power supply	100 – 240 V AC 50/60 Hz
Power consumption max.	25 W
Optional power supply	12-24V DC
Environmental conditions	
Operating temperature	-10 ÷ +40 °C
Storage temperature	-10 ÷ +50 °C
Relative humidity	10% ÷ 80% RH no condensation
Indicator	PUE HX7
Number of buttons	22
Features of use	
Max number of platforms	2



Extra payment for verification



Accessories

RS 232 cables (scale - printer)
 Roller Table
 RS 232 cables (scale - ZEBRA printer)
 Displays
 Power Adapters
 RS 232, RS 485 cables
 USB cable (scale - printer)
 IN/OUT Cables
 Barcode scanners

Label Printers
 Stands, wall mounting kits and mounting brackets
 Keypad, external switches
 USB adapter
 Receipt Printer
 Additional Weighing platforms Module
 RS 232 – USB Converter
 Additional modules

Software

- E2R Weighing [WX-010-0099]
- RAD Key [WX-010-0005]
- Alibi Reader [WX-010-0114]

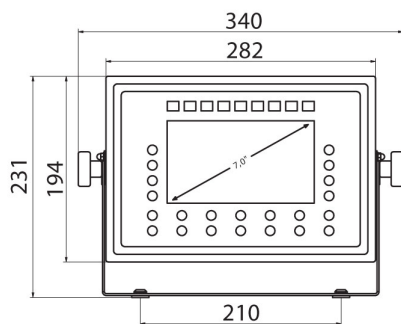
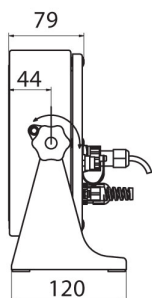
- E2R Weighing Records [WX-010-0038]
- Label Editor R02 [WX-010-0094]
- R-Lab [WX-010-0080]

Device dimensions



H Platform

	A1	A2	H
HX7.H1	200	150	85±3
HX7.H2	250	300	103±3
HX7.H3	410	410	98±2
HX7.H4	500	500	155±5
HX7.H3/5	400	600	155±5
HX7.H5	600	600	155±5
HX7.H6	800	800	135±5



PUE HX7