



More information on the website  
[radwag.com/en/info,w1,AEJ](http://radwag.com/en/info,w1,AEJ)

# 5Y.50.PM.KB Mass Comparator



The drawings, photos and graphics used are for illustrative purposes only.

## Datasheet

Metrological parameters	
E1 Calibration Range	-
E2 Calibration Range	-
F1 Calibration Range	-
F2 Calibration Range	50 kg
M1 Calibration Range	10 kg ÷ 50 kg
M2 Calibration Range	5 kg ÷ 50 kg
Maximum capacity [Max]	51 kg
Readability [d]	100 mg
Standard repeatability [5% Max]	70 mg
Standard repeatability [Max]	100 mg
Permissible repeatability	150 mg
Eccentricity (tested load)	1d / 2 mm
Electric compensation range	0 ÷ 51 kg
Stabilization time	3 s
Adjustment	internal

Physical parameters	
Display	10" graphic colour touchscreen
Weighing pan dimensions	302×252 mm
Weighing device dimensions	370×280×150 mm
Controlling device dimensions	249×170×72 mm
Packaging dimensions	520×520×280 mm
Net weight	12 kg
Gross weight	14.2 kg
Communication interface	
Communication interface	2×USB-A, USB-C, HDMI, Ethernet, Wi-Fi, Hotspot
Environmental conditions	
Operating temperature	+10 ÷ +40 °C
Operating temperature change rate	±2°C/12h
Relative humidity	30% ÷ 70%
Relative humidity change rate	±10%/4h

**Repeatability** is expressed as a standard deviation determined for 6 ABBA cycles. Standard deviation is experimentally determined under ambient conditions for calibration of F2 class mass standards specified in OIML R111 (Table C.1.) document.

\* Wi-Fi® is a registered trademark of Wi-Fi® Alliance.



## Accessories

RFID Tags  
 Additional modules  
 Protective cover for balances  
 Barcode scanners  
 Balance Storage Case  
 Antivibration Tables  
 RS 232, RS 485 cables

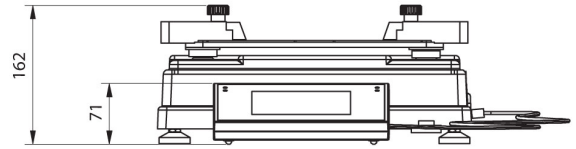
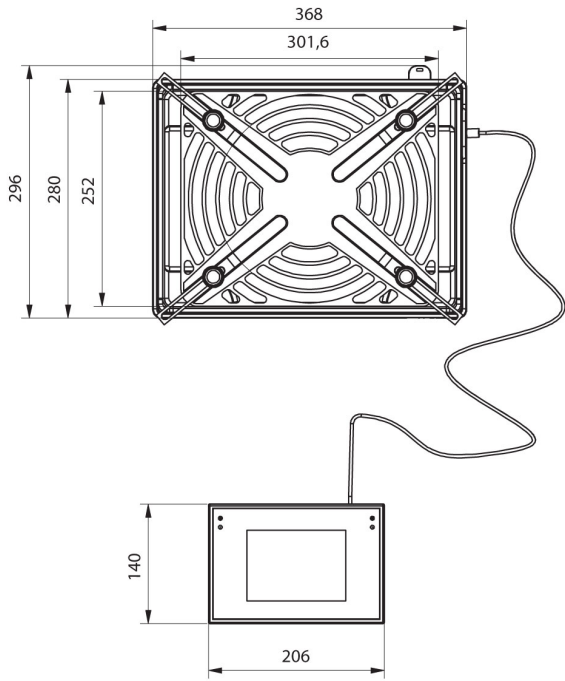
Label Printers  
 THBR 2.0 System - Ambient Conditions Monitoring  
 Receipt Printer  
 Fingerprint Reader  
 RS 232, RS 485 cables  
 RS 232 cables (scale - printer)

## Software

- RAD Key [WX-010-0005]
- RMCS System Network Management of Calibration Process [WX-010-0048]

- RMCS Lite [WX-010-0164]

## Device dimensions



PM 4Y.KB