



More information on the website
radwag.com/us/info,w1,9VJ

Anti-Draft Chamber for Microbalances



The drawings, photos and graphics used are for illustrative purposes only.

Datasheet

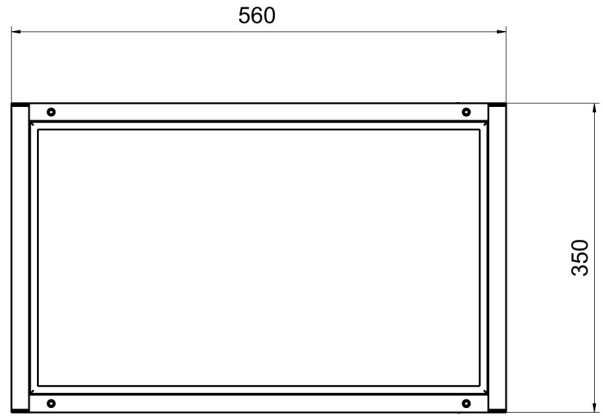
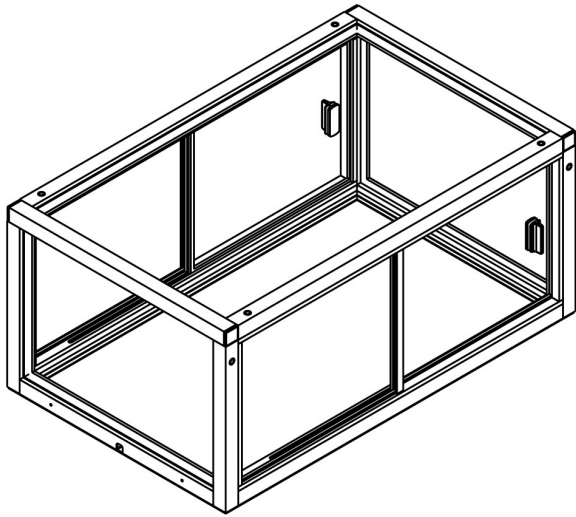
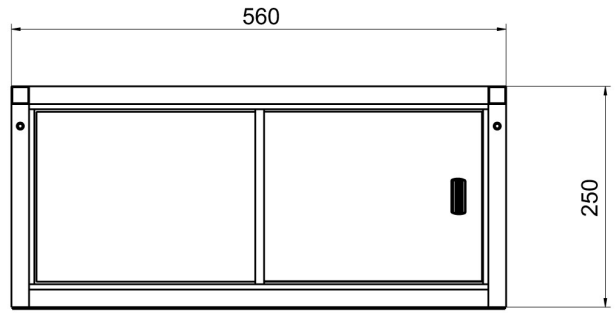
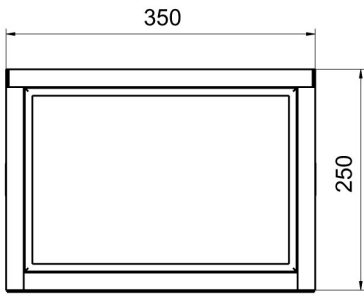
| Physical parameters | |
|----------------------|----------------|
| Dimension | 560x350x252 mm |
| Packaging dimensions | 695x485x385 mm |
| Net weight | 7,6 kg |
| Gross weight | 10,9 kg |

Compatible with

MUYA Modules
 XA 5Y.M.A.P Microbalance
 Microbalance for Pipette Calibration MYA 5Y.P
 Microbalance for Filters MYA 5Y.F

XA 5Y.M.A Microbalance
 MYA 5Y Microbalance
 XA 5Y.M Microbalance
 XA 5Y.M.A.S Microbalance

Device dimensions



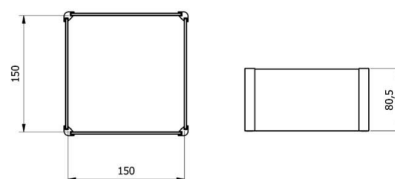


Anti-draft chamber for balances with 128x128 mm weighing pan

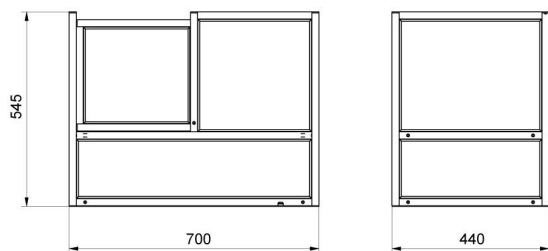
Anti-draft chamber for X2 and R2 precision balances



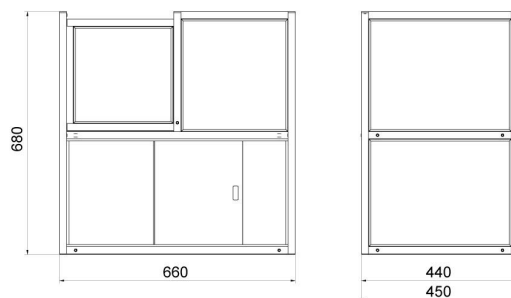
Anti-draft chamber for microbalances



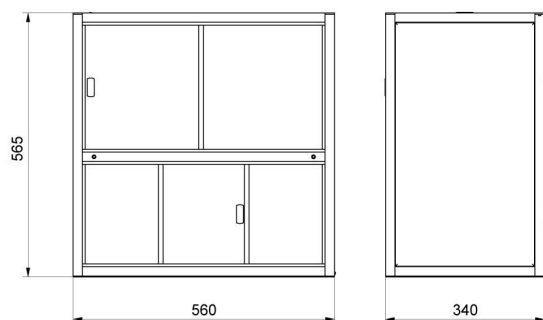
Draft shield for precision balances



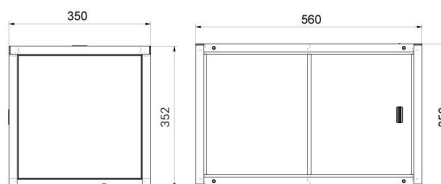
Anti-draft chamber for APP-00-SK mass comparators



Anti-draft chamber for APP-KO-SK mass comparators



Anti-draft chamber for WAY-KO mass comparators



Anti-draft chamber for XA 5Y / XA 5Y.A balances