



More information on the website
radwag.com/us/info,w1,9VJ

Anti-Draft Chamber for Microbalances



The drawings, photos and graphics used are for illustrative purposes only.

Datasheet

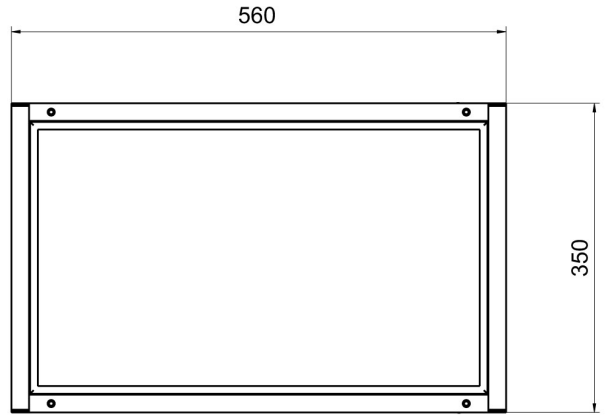
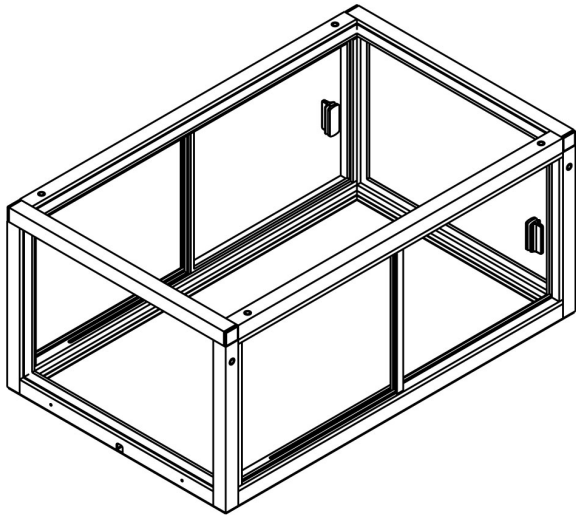
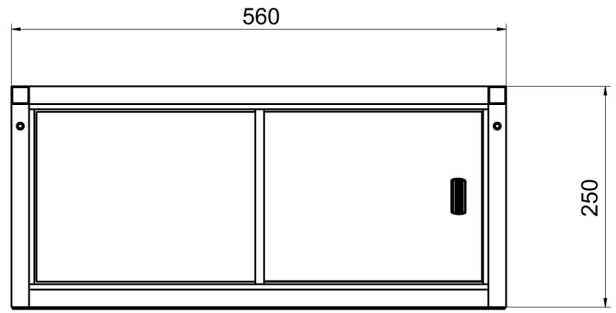
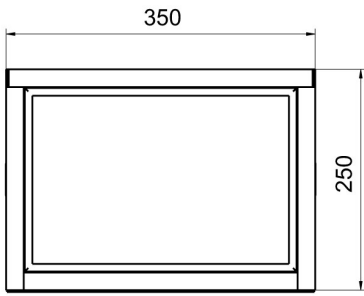
Physical parameters	
Dimension	560x350x252 mm
Packaging dimensions	695x485x385 mm
Net weight	7,6 kg
Gross weight	10,9 kg

Compatible with

MUYA Modules
 XA 5Y.M.A.P Microbalance for pipettes calibration
 MYA 5Y.P Microbalance for pipettes calibration
 MYA 5Y.F Microbalance for Filters

XA 5Y.M.A Microbalance
 MYA 5Y Microbalance
 XA 5Y.M Microbalance
 XA 5Y.M.A.S Microbalance for stents weighing

Device dimensions



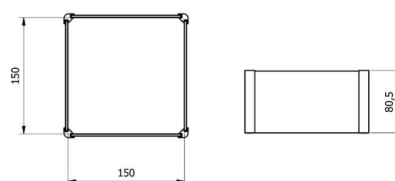


Anti-draft chamber for balances with 128x128 mm weighing pan

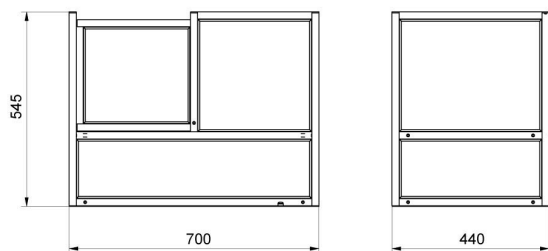
Anti-draft chamber for X2 and R2 precision balances



Anti-draft chamber for microbalances



Draft shield for precision balances



Anti-draft chamber for APP-00-SK mass comparators



Anti-draft chamber for APP-KO-SK mass comparators



Anti-draft chamber for WAY-KO mass comparators



Anti-draft chamber for XA 5Y / XA 5Y.A balances