



More information on the website
radwag.com/it/info,w1,9VJ

Anti-Draft Chamber for Microbalances



The drawings, photos and graphics used are for illustrative purposes only.

Foglio di calcolo

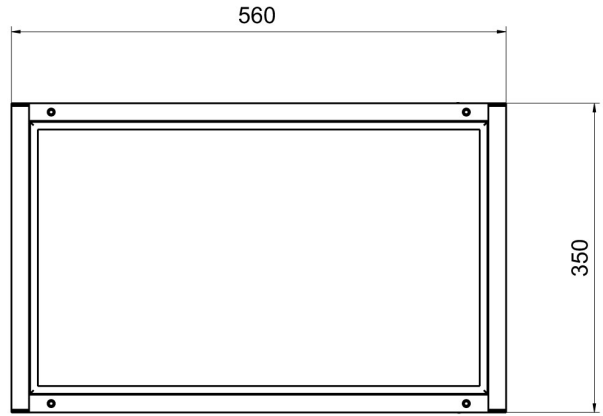
Parametri fisici	
Dimensioni	560x350x252 mm
Dimensioni del pacco	695x485x385 mm
Peso netto	7,6 kg
Peso lordo	10,9 kg

Compatibile con

Moduli MU YA
 Microbilance XA 5Y.M.A.P
 Microbilancia per la calibrazione delle pipette MYA 5Y.P
 Microbilancia per filtri MYA 5Y.F

Microbilance XA 5Y.M.A
 Microbilance MYA 5Y
 Microbilance XA 5Y.M
 Microbilance XA 5Y.M.A.S

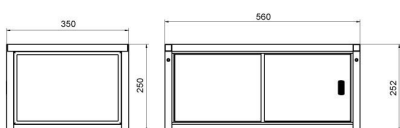
Device dimensions



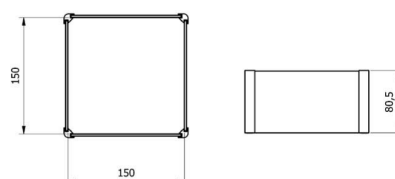


Anti-draft chamber for balances with 128x128 mm weighing pan

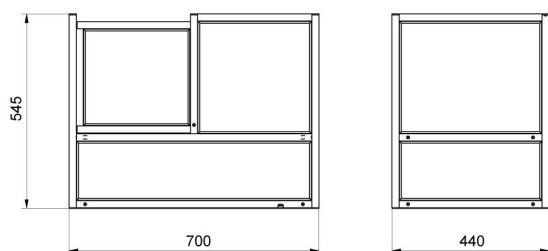
Anti-draft chamber for X2 and R2 precision balances



Anti-draft chamber for microbalances



Draft shield for precision balances



Anti-draft chamber for APP-00-SK mass comparators



Anti-draft chamber for APP-KO-SK mass comparators



Anti-draft chamber for WAY-KO mass comparators



Anti-draft chamber for XA 5Y / XA 5Y.A balances