



More information on the website  
[radwag.com/fr/info,w1,9VJ](https://radwag.com/fr/info,w1,9VJ)

## Boîte anti-courant d'air pour microbalances



The drawings, photos and graphics used are for illustrative purposes only.

### Paramètres Techniques

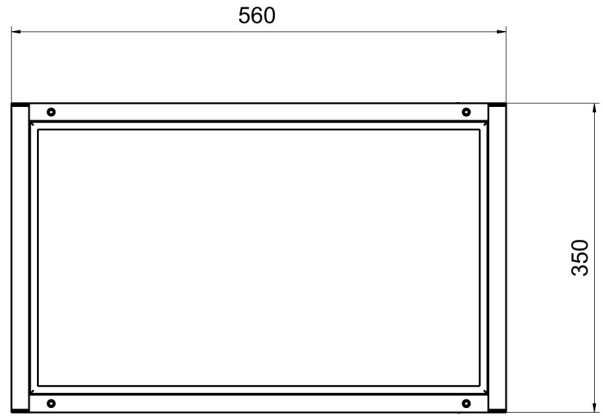
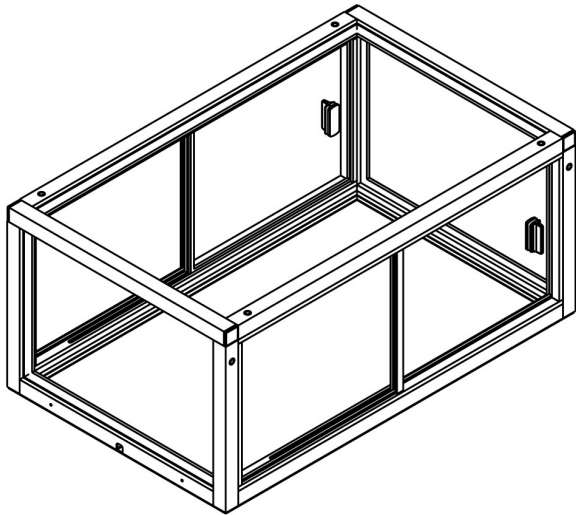
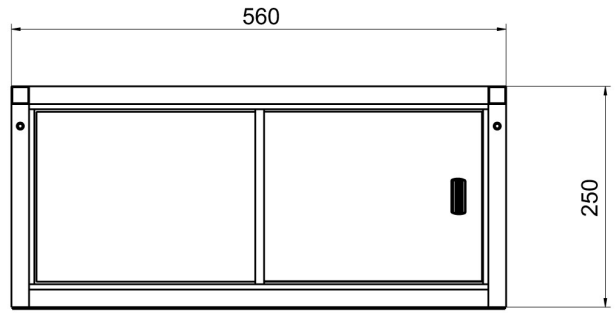
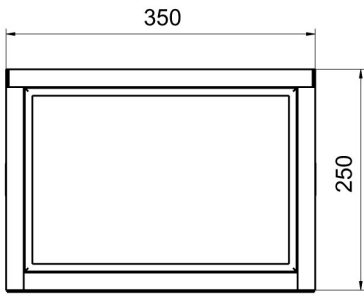
Paramètres physiques	
Dimension	560x350x252 mm
Dimensions de colis	695x485x385 mm
Masse nette	7,6 kg
Masse brute	10,9 kg

### Compatible avec

Modules MUYA  
 Microbalance XA 5Y.M.A.P  
 Microbalance MYA 5Y.P  
 Microbalance pour filtres MYA 5Y.F

Microbalance XA 5Y.M.A  
 Microbalance MYA 5Y  
 Microbalance XA 5Y.M  
 Microbalance XA 5Y.M.A.S

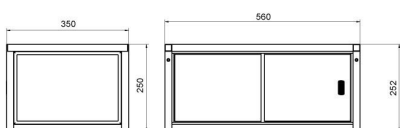
### Dimensions d'appareil



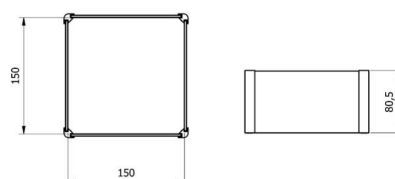


Anti-draft chamber for balances with 128x128 mm weighing pan

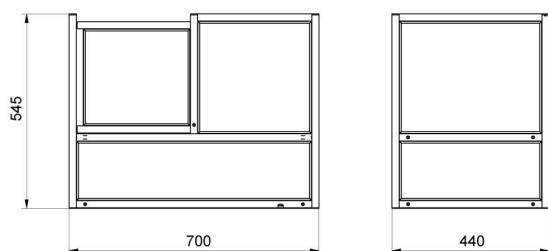
Anti-draft chamber for X2 and R2 precision balances



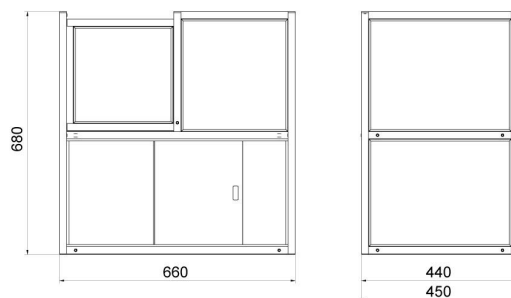
Anti-draft chamber for microbalances



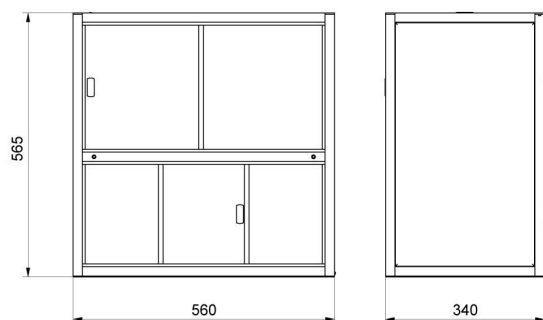
Draft shield for precision balances



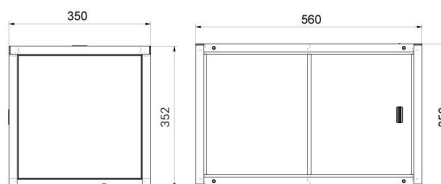
Anti-draft chamber for APP-00-SK mass comparators



Anti-draft chamber for APP-KO-SK mass comparators



Anti-draft chamber for WAY-KO mass comparators



Anti-draft chamber for XA 5Y / XA 5Y.A balances