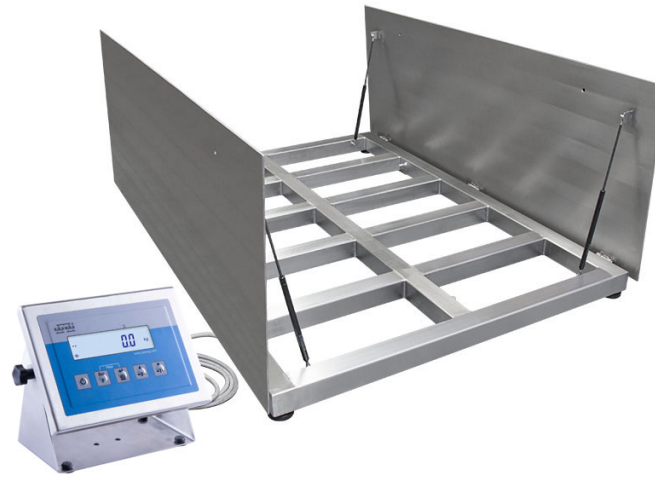




More information on the website  
[radwag.com/us/info,w1,9M4](http://radwag.com/us/info,w1,9M4)

# H315.4.1500/3000.H8/9/Z Stainless Steel Platform Scale, pit version



The drawings, photos and graphics used are for illustrative purposes only.

## Functions

 Plus/Minus Control

 Percent Weighing

 Totalizing

 Parts counting

 Internal battery

 Peak hold

 Newton unit measurement

 Animal weighing

## Datasheet

Maximum capacity [Max]	1500/3000 kg
Minimum load	10 kg
Readability [d]	500/1000 g
Tare range	-3000 kg
OIML Class	III
<b>Physical parameters</b>	
Display	LCD (backlit)
Weighing pan dimensions	1200×1500 mm
Weighing platform height	111 mm

Physical parameters	
Packaging dimensions	1700×1400×550 mm
Scale mass with indicator and frame	195 kg
Cable length	3 m
Construction	
Protection class	IP 68 construction, IP 68 (1h max)/69 indicator
Communication interface	RS232, USB
Optional interfaces	RS232 or RS485 or 4IN/4OUT or Ethernet or analog output 4-20 mA
Power supply	100 – 240 V AC 50/60 Hz
Optional power supply	internal rechargeable battery
Operation time on batteries	max 7h
Operating temperature	-10 ÷ +40 °C
Relative humidity	10% ÷ 85% RH no condensation



Extra payment for verification



## Accessories

RS 232 cables (scale - printer)  
 Displays  
 RS 232 cables (scale - Ethernet)  
 RS 232, RS 485 cables  
 RS 232 – Ethernet Converter  
 USB adapter

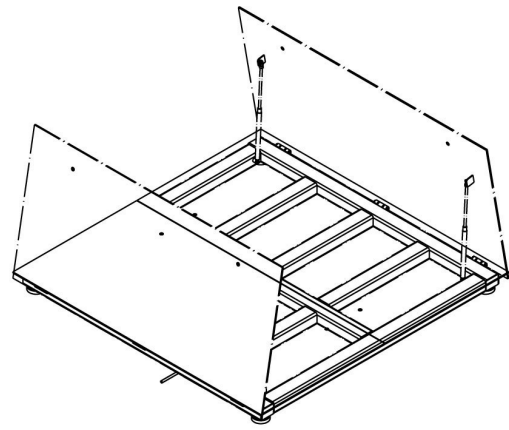
Receipt Printer  
 USB cable (scale - printer)  
 Stands, wall mounting kits and mounting brackets  
 RS 232 – USB Converter  
 RS 232, RS 485 cables

## Software

- RAD Key [WX-010-0005]
- Scale Editor - EWAG 2.1 [WX-010-0173]

- R Panel [WX-010-0187]

## Device dimensions



Single-leaf platform:

H315.4.H6/Z

H315.4.H7/Z

H315.4.H8/Z

Double-leaf platform:

H315.4.H8/9/Z

H315.4.H9/Z

H315.4.H10/Z



Scale type	A	B	H
H315.4.150-600.H6/Z	800	800	88±2
H315.4.150-1500.H7/Z	1000	1000	88±2
H315.4.300-1500.H8/Z	1200	1200	88 ±2
H315.4.3000.H8/Z	1200	1200	111 ±2
H315.4.300-1500.H8/9/Z	1200	1500	88 ±2
H315.4.3000.H8/9/Z	1200	1500	111 ±2
H315.4.300-1500.H9/Z	1500	1500	88 ±2
H315.4.3000-6000.H9/Z	1500	1500	111 ±2
H315.4.600-6000.H10/Z	1500	2000	111 ±2

dimensions in mm