



More information on the website
radwag.com/tr/info,w1,9GS

Platformlar PL/4/300/H6



The drawings, photos and graphics used are for illustrative purposes only.

Teknik Veriler

Metrolojik parametreler	
Maksimum yük [Max]	300 kg
Okuma up doğruluğu [d]	100 g
Konstrüksiyon	
IP Sınıfı	IP 68
Konstrüksiyon	Stainless steel AISI304
Tartım kefesi	Stainless steel AISI304
Fiziksel parametreler	
Tartım kefesi boyutları	800x800 mm
Weighing platform height	88 mm

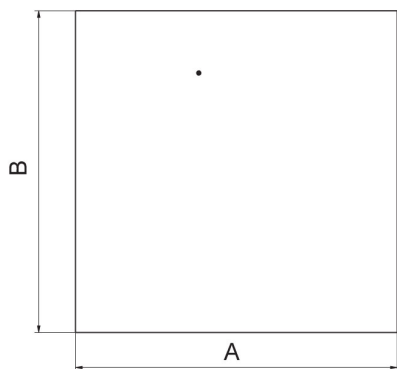
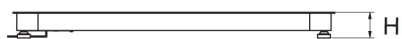


Aksesuarlar

PUE 5 tartım terminali
PUE 7.1 tartım terminali

PUE HX7 tartım terminali
PUE HY10 tartım terminali

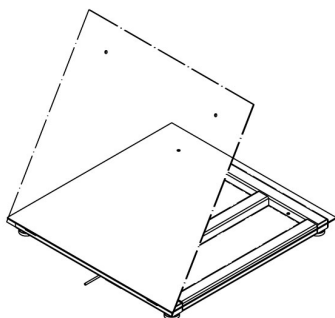
Cihaz boyutları



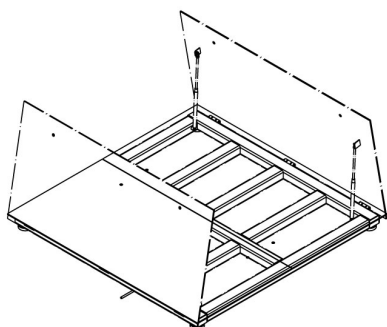
Platform	A	B	H
PLC/4/C6	800	800	120 ±10
PLC/4/C7	1000	1000	120 ±10
PLC/4/C8	1200	1200	120 ±10
PLC/4/C8/9	1200	1500	120 ±10
PLC/4/C9	1500	1500	120 ±10
PLC/4/C10	1500	2000	120 ±10
PLC/4/C11	2000	2000	120 ±10

dimensions in mm

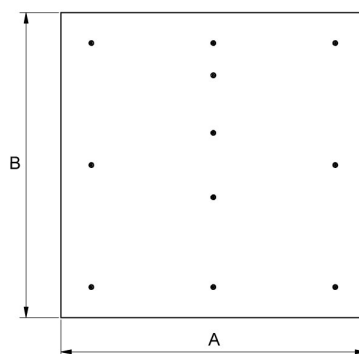
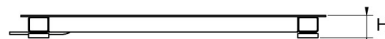
PLC/4/C



PL/4/H6/Z
 PL/4/H7/Z
 PL/4/H8/Z



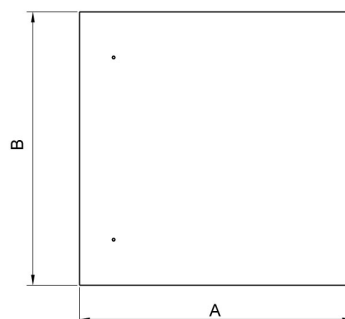
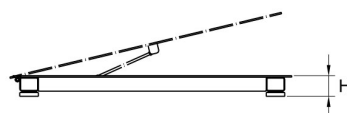
PL/4/H8/9/Z
 PL/4/H9/Z
 PL/4/H10/Z



Platform	A	B	H
PL/4/H6	800	800	88 ±2
PL/4/H7	1000	1000	88 ±2
PL/4/H8	1200	1200	88 ±2
PL/4/H8/9	1200	1500	88 ±2
PL/4/H9	1500	1500	88 ±2
PL/4/H10	1500	2000	111 ±2

dimensions in mm

PL/4/H



Platform	A	B	H
PL/4/H6/Z	800	800	88 ±2
PL/4/H7/Z	1000	1000	88 ±2
PL/4/H8/Z	1200	1200	88 ±2
PL/4/H8/9/Z	1200	1500	88 ±2
PL/4/H9/Z	1500	1500	88 ±2
PL/4/H10/Z	1500	2000	111 ±2

dimensions in mm

PL/4/H/Z