



More information on the website  
[radwag.com/us/info,w1,8HA](http://radwag.com/us/info,w1,8HA)

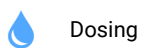
# HX7.4.300.H7/Z Multifunctional Stainless Steel Platform Scale, pit version

WP-226-0005



The drawings, photos and graphics used are for illustrative purposes only.

## Functions



Dosing



Percent Weighing



Parts counting



Formulation



Replaceable unit



ALIBI Memory

## Datasheet

Maximum capacity [Max]	300 kg
Minimum load	2 kg
Readability [d]	100 g
Verification unit [e]	100 g
Tare range	-300 kg
Max readability for non-verified scale	20 g
OIML Class	III
<b>Physical parameters</b>	
Display	7" graphic colour

Physical parameters	
Cable length	3 m
Weighing pan dimensions	1000×1000 mm
Packaging dimensions	1200×1200×530 mm
Net weight	103 kg
Gross weight	130 kg
Construction	
Protection class	IP 66 / 69 construction, IP 66 / 67 terminal
Keypad	membrane
Construction	Stainless steel AISI304
Communication interface	
Communication interface	RS232, USB-A, 4IN, 4OUT, Ethernet, Modbus RTU
Optional interfaces	USB (M12 4P), Ethernet, module RS485, module RS232, module Profibus (Dp SLAVE), PROFINET (RRJ45), EtherNet/IP (RRJ45), 12 IN, 12 OUT, 4-20mA, 0-10V
Power supply	
Power supply	100 – 240 V AC 50/60 Hz
Power consumption max.	25 W
Optional power supply	12 – 24 V DC
Operating temperature	
Operating temperature	-10 – +40 °C
Storage temperature	
Storage temperature	-10 – +50 °C
Relative humidity	10% – 80% RH no condensation
Indicator	PUE HX7
Number of buttons	22
Features of use	
Max number of platforms	2



Additional fee for verification



## Accessories (Additional Fee)

RS 232 cables (scale - printer)  
 RS 232 cables (scale - ZEBRA printer)  
 Displays  
 Power Adapters  
 RS 232, RS 485 cables  
 USB cable (scale - printer)  
 IN/OUT Cables  
 Barcode scanners

Label Printers  
 Stands, wall mounting kits and mounting brackets  
 Keypad, external switches  
 USB adapter  
 Receipt Printer  
 Additional Weighing platforms Module  
 RS 232 – USB Converter  
 Additional modules

## Software (Additional Fee)

- E2R Weighing [WX-010-0099]
- RAD Key [WX-010-0005]
- Alibi Reader PC Software [WX-010-0114]
- RADWAG Development Studio [WX-010-0104]

- E2R Weighing Records [WX-010-0038]
- Label Editor R02 [WX-010-0094]
- Scale Editor - EWAG 2.1 [WX-010-0173]

# Device dimensions



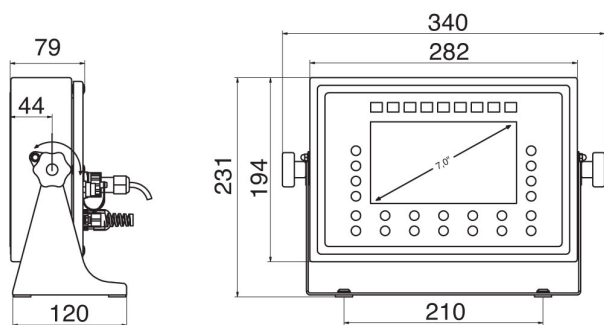
Typ wagi	A1	A2	B
HX7.H6/Z	800	800	88±2
HX7.H7/Z	1000	1000	88±2
HX7.H8/Z	1200	1200	88±2
HX7.H8/Z*	1200	1200	111±2
HX7.H 8/9/Z	1200	1500	88±2
HX7.H8/9Z*	1200	1500	111±2
HX7.H9/Z	1500	1500	88±2
HX7.H9/Z*	1500	1500	111±2
HX7.H10/Z	1500	2000	111±2
HX7.H10/Z**	1500	2000	166±2

wymiar podawany w mm  
dimensions in mm

\* dla Max ≥ 3000

\*\*Max ≥ 3000 Max ≥ 6000

\* Max ≥ 6000



PUE HX7