



More information on the website
radwag.com/us/info,w1,8F2

KIT 85 Density Determination Kit



The drawings, photos and graphics used are for illustrative purposes only.

Overview

Density determination kit for determining density of solids and liquids is designed for cooperation with laboratory balances featuring weighing pan with $\varnothing 85$ and $\varnothing 100$ mm. This stainless steel kit is applicable for determining density of: - solids (including granulates); - liquids.

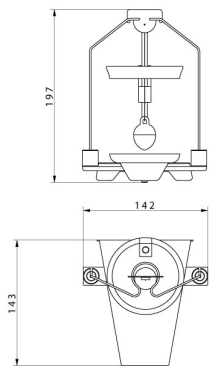
KIT 85 is equipped with an additional element - a set of weighing pans for testing granulate of density higher or lower than 1 g/cm^3 .

Compatible with

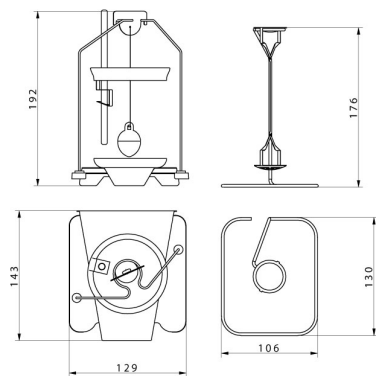
AS X7 Analytical Balance
AS X2 PLUS Analytical Balances
XA 5Y.A Analytical Balance
AS 5Y Analytical Balance

Analytical Balance for Filters XA 5Y.F
XA 5Y Analytical Balance
AS R2 PLUS Analytical Balance
AS R1 PLUS Analytical Balance

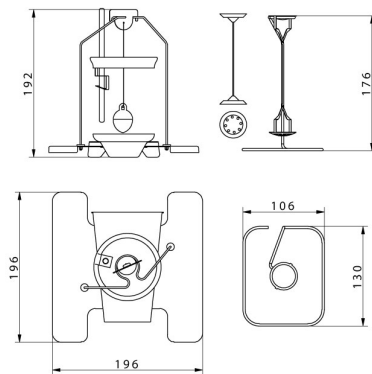
Device dimensions



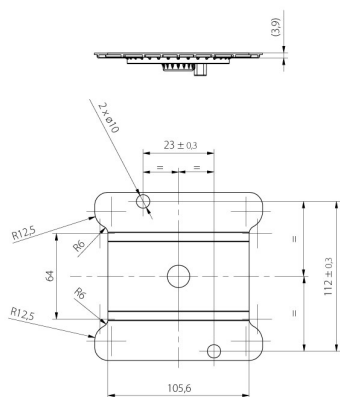
KIT 85



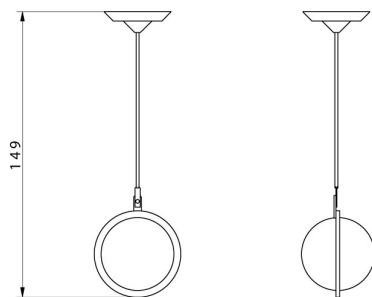
KIT 128



KIT 195



KIT 195.M



Granulte density
determination KIT