



More information on the website  
radwag.com/tr/info,w1,8F2

## KIT 85 Yoğunluk Tespit Kiti



The drawings, photos and graphics used are for illustrative purposes only.

### Genel Açıklama

KIT 85 is a density determination kit intended for laboratory balances featuring a weighing pan with  $\varnothing 85$  and  $\varnothing 100$  mm.

This stainless steel accessory allows determining density of:

solids (including granulates); liquids.

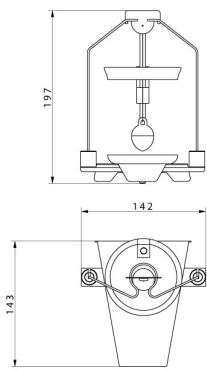
KIT 85 features an additional set of weighing pans for testing granulate of density higher, and lower than 1 g/cm<sup>3</sup>.

### İle uyumlu

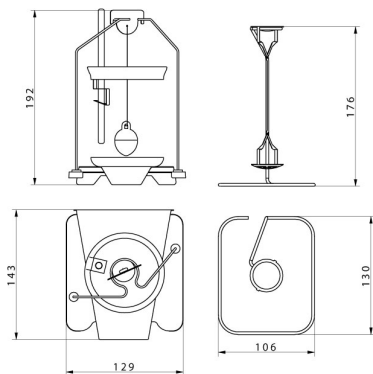
AS X7 Analitik Teraziler  
AS X2 PLUS Analitik Teraziler  
XA 5Y.A Analitik Terazi  
AS 5Y Analitik Teraziler

Filtreleri için Analitik Terazi XA 5Y.F  
XA 5Y Analitik Terazi  
AS R2 PLUS Analitik Teraziler  
AS R1 PLUS Analitik Teraziler

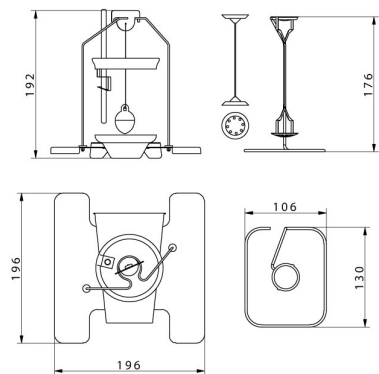
# Cihaz boyutları



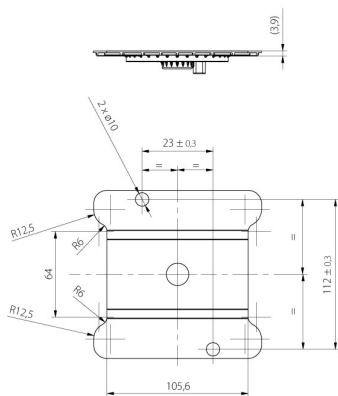
KIT 85



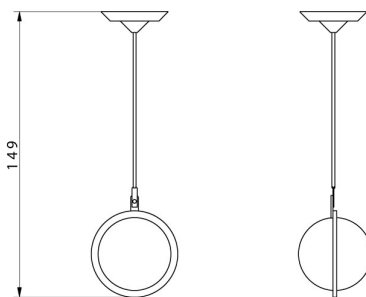
KIT 128



KIT 195



KIT 195.M



Granulte density  
determination KIT