



KIT 85 Density Determination Kit



The drawings, photos and graphics used are for illustrative purposes only.

Overview

KIT 85 is a density determination kit intended for laboratory balances featuring a weighing pan with $\varnothing 85$ and $\varnothing 100$ mm.

This stainless steel accessory allows determining density of:

solids (including granulates); liquids.

KIT 85 features an additional set of weighing pans for testing granulate of density higher, and lower than 1 g/cm^3 .

Compatible with

AS X7 Analytical Balance
AS X2 PLUS Analytical Balances
XA 5Y.A Analytical Balance
AS 5Y Analytical Balance

XA 5Y.F Analytical Balance for Filters
XA 5Y Analytical Balance
AS R2 PLUS Analytical Balance
AS R1 PLUS Analytical Balance

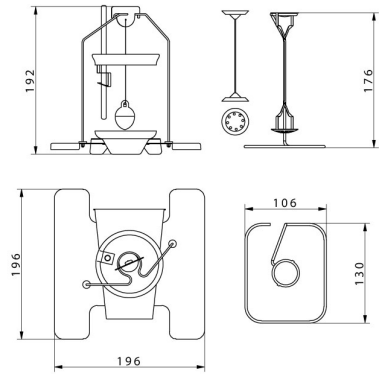
Device dimensions



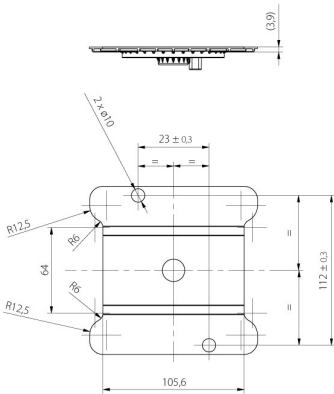
KIT 85



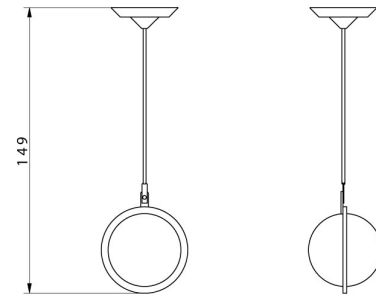
KIT 128



KIT 195



KIT 195.M



Granulte density
determination KIT