



More information on the website
radwag.com/en/info,w1,8DA

Ramp for H7 1500kg Scale



The drawings, photos and graphics used are for illustrative purposes only.

Datasheet

Construction	
Material	Stainless steel
Physical parameters	
Platform size	1000×1150 mm



Compatible with

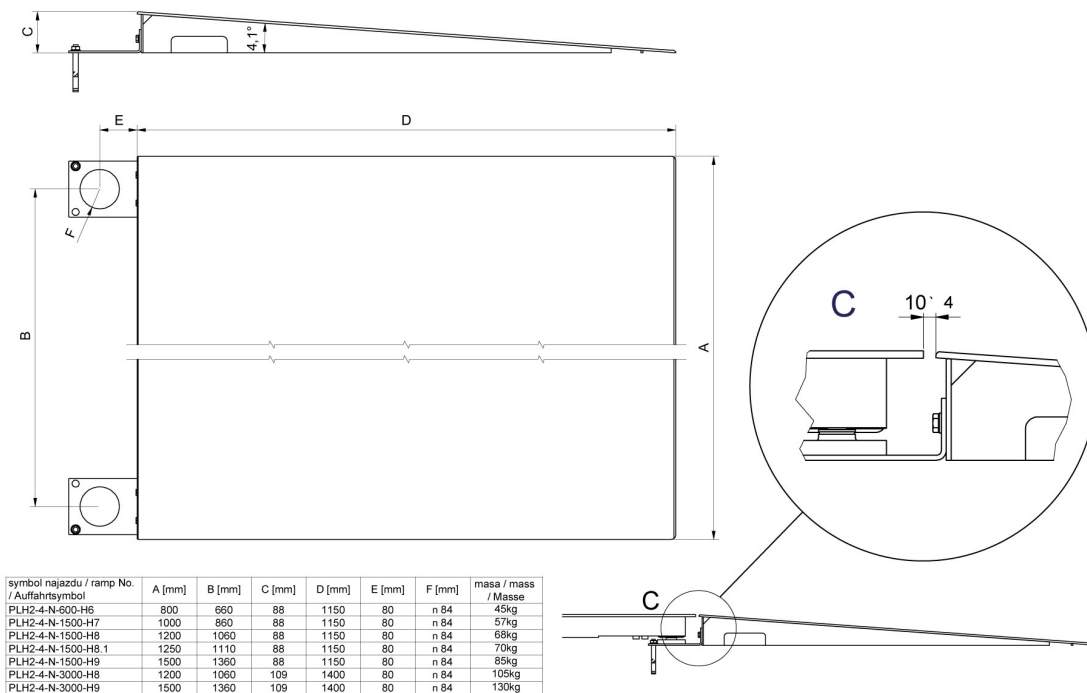
H315 4H Stainless Steel Platform Scale

HX7.4 H Multifunctional Stainless Steel Platform Scale

Device dimensions



Ramps made of powder-coated steel



Ramps made of stainless steel