



More information on the website
radwag.com/ja/info,w1,8B1

IM01.EX-9/3/2

WX-016-0189



The drawings, photos and graphics used are for illustrative purposes only.

XXXXXXXXXX

| | |
|--------------|--|
| XXXX | |
| XXXXXX | IP 66 / 68 (1,5m) |
| XXXXXX | XXXXXXXXXXXX |
| ATEXXX | II (2)G [Ex ib] IIC Gb II (2)D [Ex ib] IIIC Db |
| XXXXXXXXXXXX | |
| XXXXXXXXXXXX | 2×RS232, USB, 12IN / 12OUT, Ethernet IP, XXXXXX 4-20 mA / 0-10 V |
| XXXXXXXXXXXX | |
| XX | 100 – 240 V AC 50/60 Hz |
| XXXX max. | 10 W |
| XXXX | |
| XXXX | -10 – +40 °C |
| XXXX | -20 – +60 °C |
| XXXX | 10% – 85% RH XXXXX |

IM01.EX

IM01.EX

222×146×81 mm

IM01

1,9 kg

IM01

2,5 kg

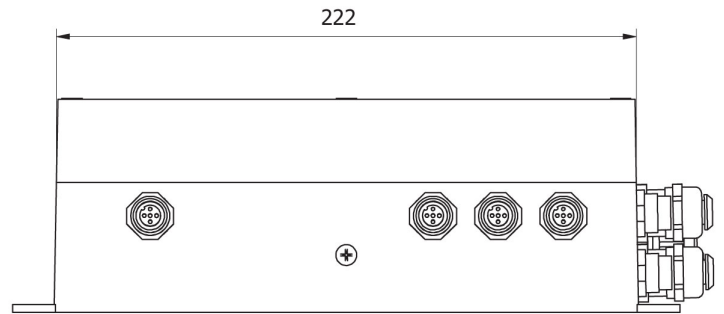
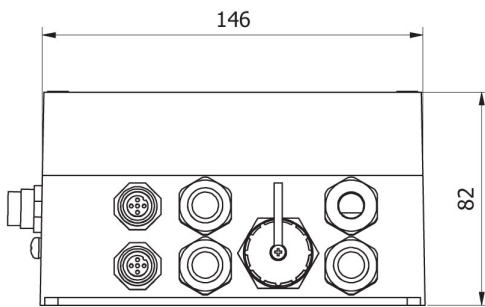


IM01 (Additional Fee)

HX5.EX-1.4P2 H
HX5.EX-1 HR
RS 232
HX5.EX-1.4P2 C
HX5.EX-1.4N
HX5.EX-1.4 C 4
HX5.EX-1.4P H
HX5.EX-1.4 H/Z
HX5.EX-1 C 1

HX5.EX-1 H
PUE HX5.EX
HX5.EX-1.4 H
RS 232/RS 485
IN/OUT
HX5.EX-1.4P C
USB
USB cable
RS 232 – USB

IM01



IM01.EX