



More information on the website
radwag.com/ja/info,w1,8B1

IM01.EX-9/3/2

WX-016-0189



The drawings, photos and graphics used are for illustrative purposes only.

XXXXXXXXXX

XXXX	
XXXXXX	IP 66 / 68 (1,5m)
XXXXXX	XXXXXXXXXXXX
ATEXXX	II (2)G [Ex ib] IIC Gb II (2)D [Ex ib] IIIC Db
XXXXXXXXXXXX	
XXXXXXXXXXXX	2×RS232, USB, 12IN / 12OUT, Ethernet IP, XXXXXX 4-20 mA / 0-10 V
XXXXXXXXXXXX	
XX	100 – 240 V AC 50/60 Hz
XXXX max.	10 W
XXXX	
XXXX	-10 – +40 °C
XXXX	-20 – +60 °C
XXXX	10% – 85% RH XXXXX

IM01.EX

IM01.EX

222×146×81 mm

IM01

1,9 kg

IM01

2,5 kg



IM01 (Additional Fee)

HX5.EX-1.4P2 H IM01

HX5.EX-1 HR IM01 1 IM01

RS 232 IM01 (IM01 - IM01)

HX5.EX-1.4P2 C IM01

HX5.EX-1.4N IM01

HX5.EX-1.4 C 4 IM01

HX5.EX-1.4P H IM01

HX5.EX-1.4 H/Z IM01

HX5.EX-1 C 1-IM01

HX5.EX-1 H IM01

PUE HX5.EX IM01

HX5.EX-1.4 H IM01 4 IM01

RS 232/RS 485 IM01

IN/OUT IM01

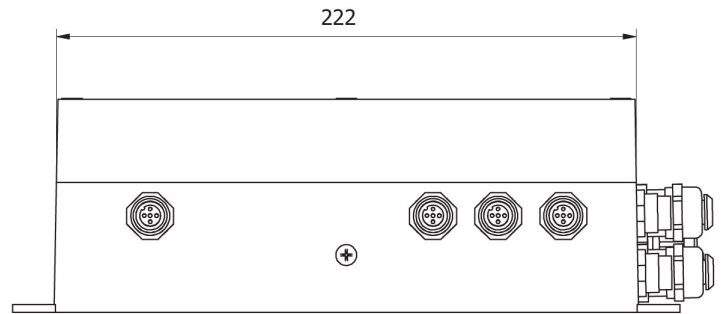
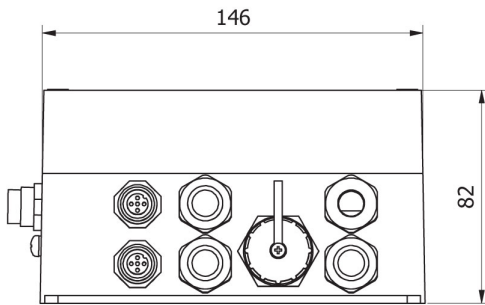
HX5.EX-1.4P C IM01

USB IM01

USB cable (IM01 - IM01)

RS 232 – USB IM01

IM01



IM01.EX