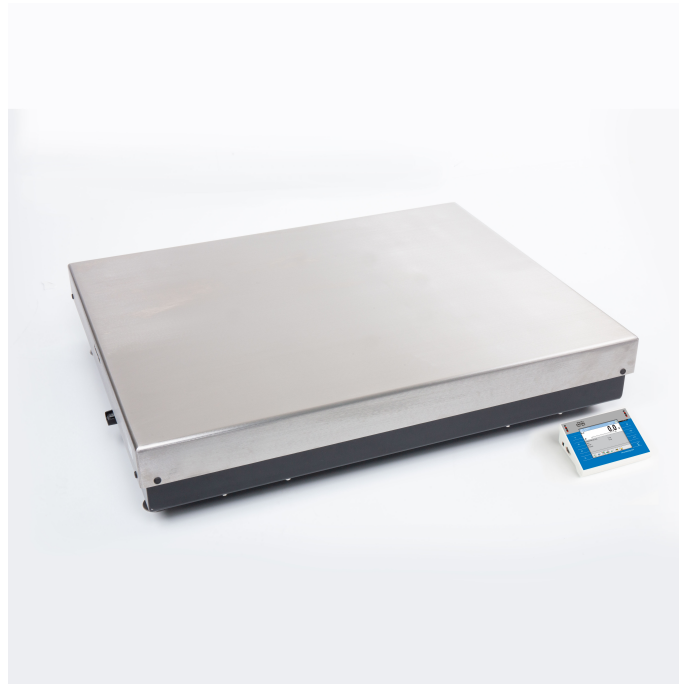




More information on the website  
[radwag.com/us/info,w1,7BA](http://radwag.com/us/info,w1,7BA)

# PUE 7.1.300.1.HRP High Resolution Scale



The drawings, photos and graphics used are for illustrative purposes only.

## Datasheet

Maximum capacity [Max]	300 kg
Minimum load	50 g
Preload range	60 kg
Readability [d]	1 g
Tare range	-300 kg
Repeatability	3 g
Linearity	±6 g
Stabilization time	3 s
Adjustment	internal (automatic)
<b>Physical parameters</b>	
Display	5,7" Resistiv-Farb-Touchscreen
Weighing pan dimensions	1000×800 mm
Device dimensions	360×313×170 mm
Packaging dimensions	1000×1200×436 mm
Net weight	126 kg

Physical parameters	
Gross weight	160 kg
Construction	
Protection class	IP 66/67 construction, IP 43 indicator
Construction	mild steel St3S
Weighing pan material	Stainless steel AISI304
Communication interface	
Communication interface	2×RS232, 2×USB-A, Ethernet, 4 IN / 4 OUT (digital), Wi-Fi
Power supply	
Power supply	100 – 240 V AC 50/60 Hz
Operating temperature	
Operating temperature	+10 ÷ +40 °C
Relative humidity	
Relative humidity	40% ÷ 80%

\* Wi-Fi® is a registered trademark of Wi-Fi® Alliance.



## Accessories

### Displays

Transponder card readers  
 RS 232 cables (scale - Ethernet)  
 RS 232 cables (scale - printer)  
 Barcode scanners

### Label Printers

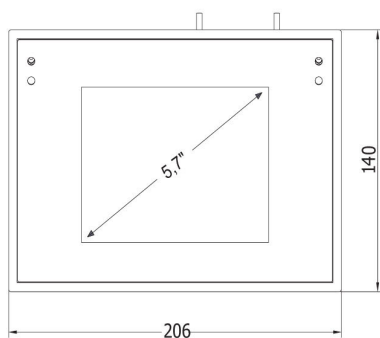
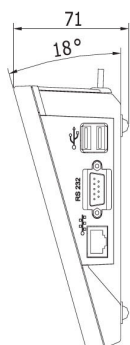
Receipt Printer  
 Additional Weighing platforms Module  
 RS 232 – USB Converter

## Software

- E2R Weighing [WX-010-0099]
- RAD Key [WX-010-0005]
- RADWAG Remote Desktop [WX-010-0107]
- RADWAG Development Studio [WX-010-0104]

- E2R Weighing Records [WX-010-0038]
- Label Editor R02 [WX-010-0094]
- Scale Editor - EWAG 2.1 [WX-010-0173]

## Device dimensions



Scale type	A1	A2	H
PUE7.1.16 - 32.HRP	360	280	139±3
PUE7.1.62 - 120.HRP	500	500	175±3
PUE7.1.150 - 300.HRP	800	600	175±3
PUE7.1.300.1 - 1100.HRP	1000	800	175±3
PUE7.1.2000.HRP	1250	1000	175±3

dimensions in mm