



More information on the website
radwag.com/en/info,w1,799

H315.2K.300/600 300/600 Overhead Track Scale



The drawings, photos and graphics used are for illustrative purposes only.

Functions



Plus/Minus Control



Percent Weighing



Totalizing



Parts counting



Internal battery



Peak hold



Newton unit measurement



Animal weighing

Datasheet

Metrological parameters

Maximum capacity [Max]	300 / 600 kg
Minimum load	2 kg
Readability [d]	0.1 / 0.2 kg
Tare range	-600 kg
OIML Class	III

Physical parameters

Display	LCD (backlit)
Detection line span	L= 800 mm (min. 200 mm)

Construction	
Protection class	IP 67 construction, IP 68 (1h max)/69 indicator
Construction	galvanized
Communication interface	
Communication interface	RS232, USB
Optional interfaces	RS232 or RS485 or 4IN/4OUT or Ethernet or analog output 4-20 mA
Electrical parameters	
Power supply	100 – 240 V AC 50/60 Hz
Optional power supply	internal rechargeable battery
Operation time on batteries	max 7h
Environmental conditions	
Operating temperature	-10 ÷ +40 °C
Relative humidity	10% ÷ 85% RH no condensation



Extra payment for verification



Accessories

RS 232 cables (scale - printer)
 Displays
 RS 232 cables (scale - Ethernet)
 RS 232, RS 485 cables
 RS 232 – Ethernet Converter
 USB adapter

Receipt Printer
 USB cable (scale - printer)
 Stands, wall mounting kits and mounting brackets
 RS 232 – USB Converter
 RS 232, RS 485 cables

Software

- RAD Key [WX-010-0005]
- R-Lab [WX-010-0080]

- R-Panel [WX-010-0187]
- Scale Editor 2.1 [WX-010-0173]

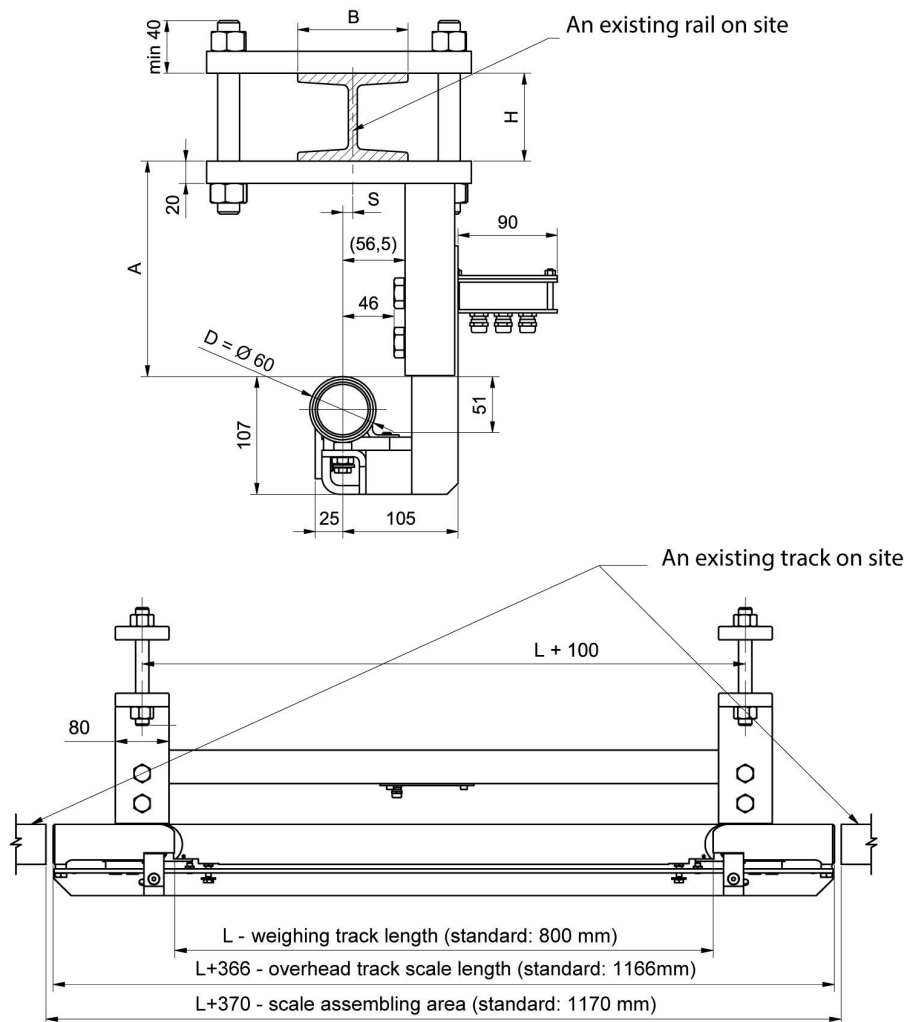
Device dimensions



CAUTION

- Standard version of the weighing track length: $L = 800 \text{ mm}$
- The truck in the place of assembling the scale has to be horizontal with a $\pm 10 \text{ mm}$ tilt limit
- The dimensions bearing the letters are to be agreed with contractor manufacturing Z dimension; the dimensions can be omitted if the following relation is fulfilled: $Z \leq 80\% D$

Dimensions of an overhead track scale with a shaft of $\varnothing 60$ (standard version)



Minimum track clearance: $A = 90 \text{ mm}$.
 Weighing track length: $200 \leq L \leq 800 \text{ mm}$. As a standard: $L=800 \text{ mm}$.
 Maximum capacity: **600 kg**.