



More information on the website
radwag.com/ja/info,w1,59Z

IM01.EX-5/3/2 ☐☐☐☐☐☐

WX-016-0177



The drawings, photos and graphics used are for illustrative purposes only.

☐☐☐☐☐☐

☐☐☐	
☐☐☐☐☐	IP 66 / 68 (1,5m)
☐☐☐☐☐	☐☐☐☐☐☐☐☐☐☐
ATEX☐☐	II (2)G [Ex ib] IIC Gb II (2)D [Ex ib] IIIC Db
☐☐☐☐☐☐☐☐☐☐	
☐☐☐☐☐☐☐☐☐☐	2×RS232, USB, 12IN / 12OUT, PROFINET, ☐☐☐☐☐ 4-20 mA / 0-10 V
☐☐☐☐☐☐☐☐☐☐	
☐☐	100 – 240 V AC 50/60 Hz
☐☐☐☐ max.	10 W
☐☐☐☐	
☐☐☐☐	-10 – +40 °C
☐☐☐☐	-20 – +60 °C
☐☐☐☐	10% – 85% RH ☐☐☐☐

IM01.EX

IM01.EX

222×146×81 mm

IM01

1,9 kg

IM01

2,5 kg



IM01 (Additional Fee)

HX5.EX-1.4P2 H

HX5.EX-1 HR

RS 232

HX5.EX-1.4P2 C

HX5.EX-1.4N

HX5.EX-1.4 C 4

HX5.EX-1.4P H

HX5.EX-1.4 H/Z

HX5.EX-1 C 1

HX5.EX-1 H

PUE HX5.EX

HX5.EX-1.4 H

RS 232/RS 485

IN/OUT

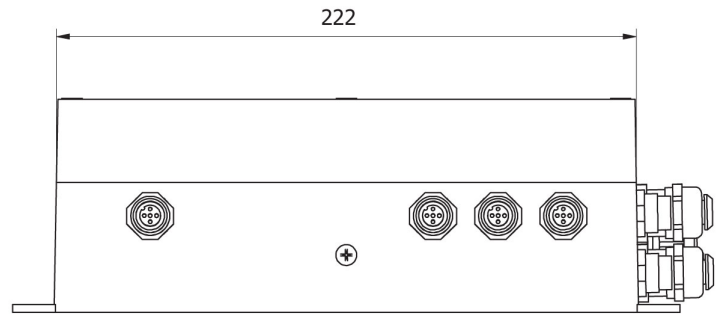
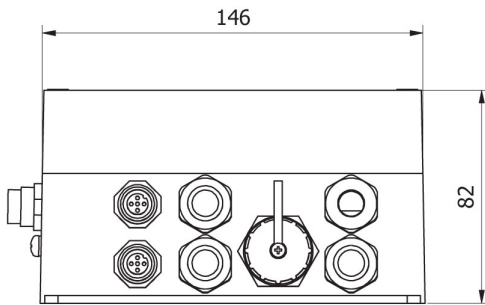
HX5.EX-1.4P C

USB

USB cable

RS 232 – USB

IM01



IM01.EX