



More information on the website
radwag.com/us/info,w1,4K1

HX7.30.HR5 Multifunctional Scale



The drawings, photos and graphics used are for illustrative purposes only.

Functions



Dosing



Percent Weighing



Parts counting



Formulation



Replaceable unit



ALIBI Memory

Datasheet

| | |
|--|-------------------|
| Maximum capacity [Max] | 30 kg |
| Minimum load | 200 g |
| Readability [d] | 10 g |
| Verification unit [e] | 10 g |
| Tare range | -30 kg |
| Max readability for non-verified scale | 1 g |
| OIML Class | III |
| Physical parameters | |
| Display | 7" graphic colour |

| Physical parameters | |
|-------------------------|---|
| Weighing pan dimensions | 600×600 mm |
| Packaging dimensions | 710×710×550 mm |
| Net weight | 23,9 kg |
| Gross weight | 28,7 kg |
| Construction | |
| Protection class | IP 68 construction, IP 66/68 terminal |
| Keypad | membrane |
| Construction | Stainless steel AISI316 |
| Weighing pan material | Stainless steel AISI316 |
| Communication interface | |
| Communication interface | RS232, USB-A, 4IN, 4OUT, Ethernet, Modbus RTU |
| Optional interfaces | USB (M12 4P), Ethernet, module RS485, module RS232, module Profibus (Dp SLAVE), PROFINET (RRJ45), EtherNet/IP (RRJ45), 12 IN, 12 OUT, 4-20mA, 0-10V |
| Power supply | |
| Power supply | 100 – 240 V AC 50/60 Hz |
| Power consumption max. | 25 W |
| Optional power supply | 12-24V DC |
| Operating temperature | |
| Operating temperature | -10 ÷ +40 °C |
| Storage temperature | |
| Storage temperature | -10 ÷ +50 °C |
| Relative humidity | 10% – 80% RH no condensation |
| Indicator | PUE HX7 |
| Number of buttons | 22 |
| Features of use | |
| Max number of platforms | 2 |



Extra payment for verification



Accessories

RS 232 cables (scale - printer)
 Roller table
 RS 232 cables (scale - ZEBRA printer)
 Displays
 Power Adapters
 RS 232, RS 485 cables
 USB cable (scale - printer)
 IN/OUT Cables
 Barcode scanners

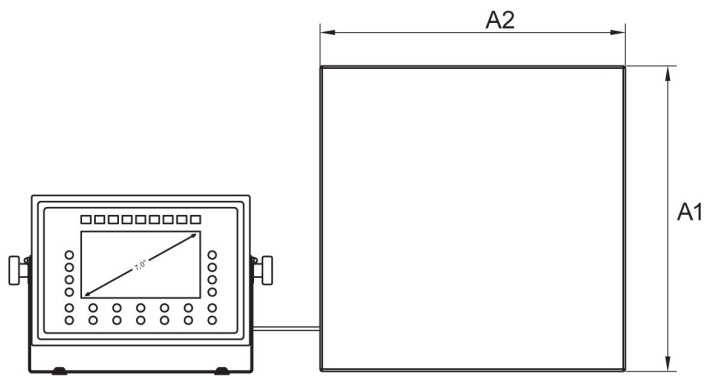
Label Printers
 Stands, wall mounting kits and mounting brackets
 Keypad, external switches
 USB adapter
 Receipt Printer
 Additional Weighing platforms Module
 RS 232 – USB Converter
 Additional modules

Software

- E2R Weighing [WX-010-0099]
- RAD Key [WX-010-0005]
- Alibi Reader PC Software [WX-010-0114]
- RADWAG Development Studio [WX-010-0104]

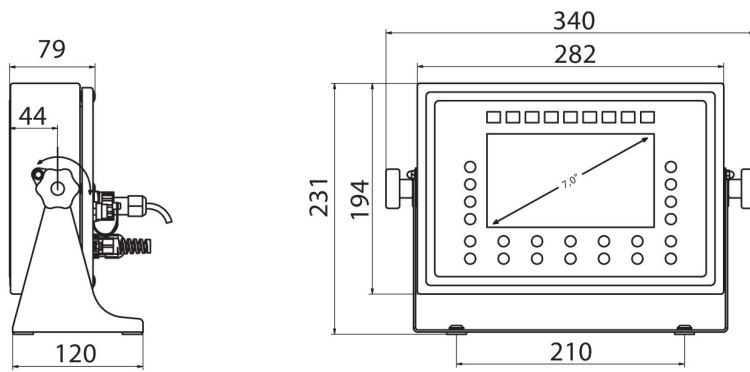
- E2R Weighing Records [WX-010-0038]
- Label Editor R02 [WX-010-0094]
- Scale Editor - EWAG 2.1 [WX-010-0173]

Device dimensions



| | A1 | A2 | B |
|-----------|-----|-----|-------|
| HX7.HR2 | 250 | 300 | 103±3 |
| HX7.HR3 | 410 | 410 | 98±2 |
| HX7.HR4 | 500 | 500 | 155±5 |
| HX7.HR3/5 | 400 | 600 | 155±5 |
| HX7.HR5 | 600 | 600 | 155±5 |

HR Platform



PUE HX7