



More information on the website
radwag.com/en/info,w1,4BF

AK-4.100.1.5Y Automatic Mass Comparators

WL-413-0015



The drawings, photos and graphics used are for illustrative purposes only.

Datasheet

Metrological parameters

| | |
|---------------------------------|----------------------|
| E0 Calibration Range | 10 – 100 * g |
| E1 Calibration Range | 10 – 100 g |
| E2 Calibration Range | 10 – 100 g |
| F1 Calibration Range | 10 – 100 g |
| F2 Calibration Range | 10 – 100 g |
| Maximum capacity [Max] | 110 g |
| Readability [d] | 0.1 µg |
| Standard repeatability [5% Max] | 0.6 µg |
| Standard repeatability [Max] | 0.6 µg |
| Permissible repeatability | 1.5 µg |
| Eccentricity (tested load) | 0 mg |
| Electric compensation range | -1 g – +10 g |
| Stabilization time | 30 s |
| Adjustment | internal (automatic) |

| Physical parameters | |
|-----------------------------------|---|
| Display | 10" graphic colour touchscreen |
| Weighing pan dimensions | ø24 mm |
| Weighing device dimensions | 385×215×600 mm |
| Controlling device dimensions | 249×170×72 mm |
| Anti-draft chamber dimensions | 560×340×665 mm |
| Packaging dimensions | 860×800×560 mm |
| Chamber packaging size | 950×420×630 mm |
| Net weight | 45.8 kg |
| Gross weight | 65.8 kg |
| Supplementary weights internal | half automatic |
| Supplementary weights external | - |
| Magazine | 4 |
| Communication interface | |
| Communication interface | 2×USB-A, USB-C, RS 232 (COM3), HDMI, Ethernet, Wi-Fi, Hotspot |
| Electrical parameters | |
| Power supply | 100 – 240 V AC 50/60 Hz |
| Environmental conditions | |
| Operating temperature | +15 – +30 °C |
| Operating temperature change rate | ±0.5 °C / 12 h (±0.3 °C / 4 h) |
| Relative humidity | 40% – 60% |
| Relative humidity change rate | ±5% / 12 h (3% / 4 h) |

Repeatability is expressed as a standard deviation determined for 6 ABBA cycles. Standard deviation is experimentally determined under ambient conditions for calibration of E1 class mass standards specified in OIML R111 (Table C.1.) document.
E0 standard determined from 1∅5 limiting error according to OIML R111 for class E1.

* Wi-Fi® is a registered trademark of Wi-Fi® Alliance.



Accessories (Additional Fee)

RFID Tags
 Antivibration Tables
 Additional modules
 Protective cover for balances
 Barcode scanners
 RS 232, RS 485 cables

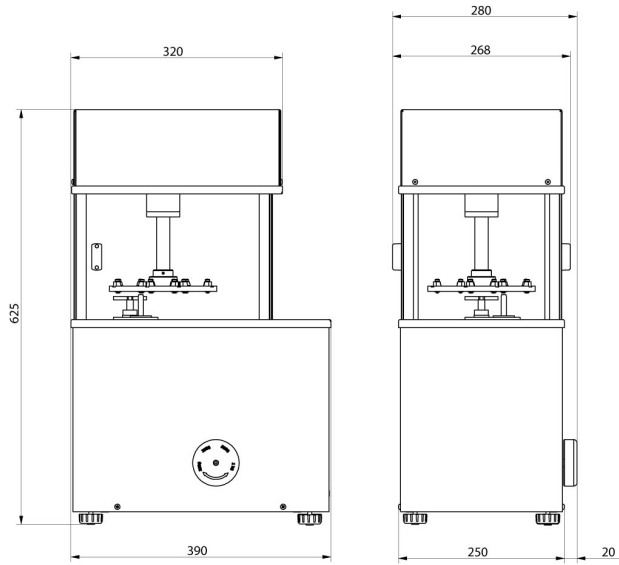
THBR 2.0 System - Ambient Conditions Monitoring
 Receipt Printer
 Fingerprint Reader
 RS 232, RS 485 cables
 RS 232 cables (scale - printer)

Software (Additional Fee)

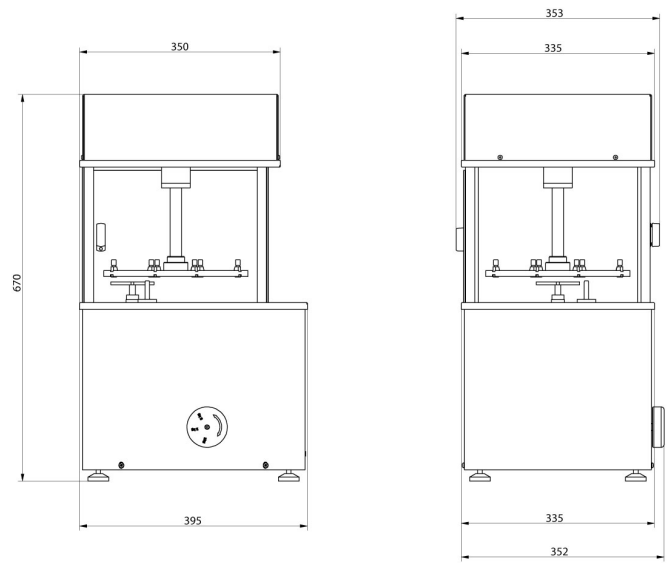
- RAD Key [WX-010-0005]
- RMCS System Network Management of Calibration Process [WX-010-0048]

- RMCS Lite [WX-010-0164]

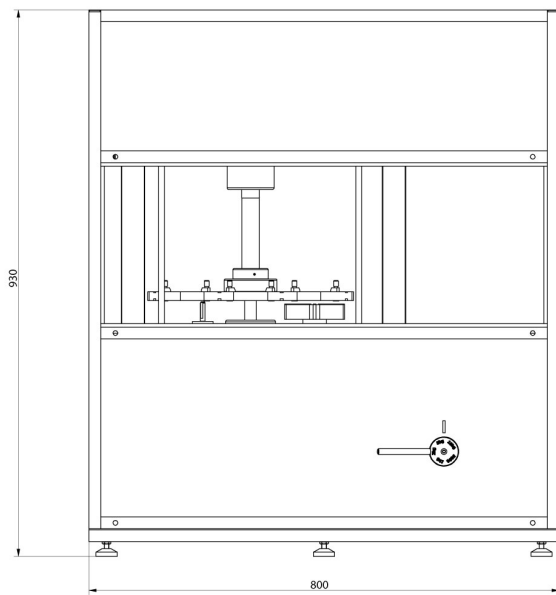
Device dimensions



AK-4/100, AK-4/1000,
AK-4/1000.1



AK-4/2000, AK-4/5000,
AK-4/5000.1



AK-4/10000, AK-4/16000

