



More information on the website  
[radwag.com/en/info,w1,4BF](http://radwag.com/en/info,w1,4BF)

# AK-4.100.1.5Y Automatic Mass Comparators

WL-413-0015



The drawings, photos and graphics used are for illustrative purposes only.

## Datasheet

Metrological parameters	
E0 Calibration Range	10 – 100 * g
E1 Calibration Range	10 – 100 g
E2 Calibration Range	10 – 100 g
F1 Calibration Range	10 – 100 g
F2 Calibration Range	10 – 100 g
Maximum capacity [Max]	110 g
Readability [d]	0.1 µg
Standard repeatability [5% Max]	0.6 µg
Standard repeatability [Max]	0.6 µg
Permissible repeatability	1.5 µg
Eccentricity (tested load)	0 mg
Electric compensation range	-1 g – +10 g
Stabilization time	30 s
Adjustment	internal (automatic)

Physical parameters	
Display	10" graphic colour touchscreen
Weighing pan dimensions	ø24 mm
Weighing device dimensions	385×215×600 mm
Controlling device dimensions	249×170×72 mm
Anti-draft chamber dimensions	560×340×665 mm
Packaging dimensions	860×800×560 mm
Chamber packaging size	950×420×630 mm
Net weight	45.8 kg
Gross weight	65.8 kg
Supplementary weights internal	half automatic
Supplementary weights external	-
Magazine	4
Communication interface	
Communication interface	2×USB-A, USB-C, RS 232 (COM3), HDMI, Ethernet, Wi-Fi, Hotspot
Electrical parameters	
Power supply	100 – 240 V AC 50/60 Hz
Environmental conditions	
Operating temperature	+15 – +30 °C
Operating temperature change rate	±0.5 °C / 12 h (±0.3 °C / 4 h)
Relative humidity	40% – 60%
Relative humidity change rate	±5% / 12 h (3% / 4 h)

**Repeatability** is expressed as a standard deviation determined for 6 ABBA cycles. Standard deviation is experimentally determined under ambient conditions for calibration of E1 class mass standards specified in OIML R111 (Table C.1.) document.

**E0 standard** determined from 1σ5 limiting error according to OIML R111 for class E1.

\* Wi-Fi® is a registered trademark of Wi-Fi® Alliance.



## Accessories (Additional Fee)

RFID Tags  
 Antivibration Tables  
 Additional modules  
 Protective cover for balances  
 Barcode scanners  
 RS 232, RS 485 cables

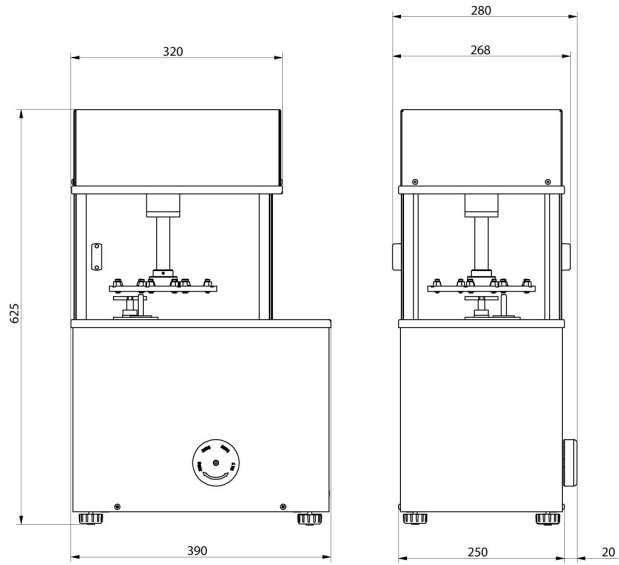
THBR 2.0 System - Ambient Conditions Monitoring  
 Receipt Printer  
 Fingerprint Reader  
 RS 232, RS 485 cables  
 RS 232 cables (scale - printer)

## Software (Additional Fee)

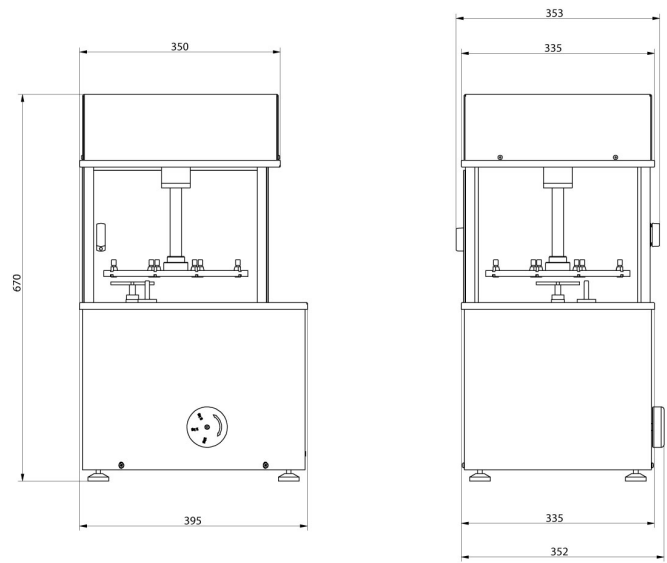
- RAD Key [WX-010-0005]
- RMCS System Network Management of Calibration Process [WX-010-0048]

- RMCS Lite [WX-010-0164]

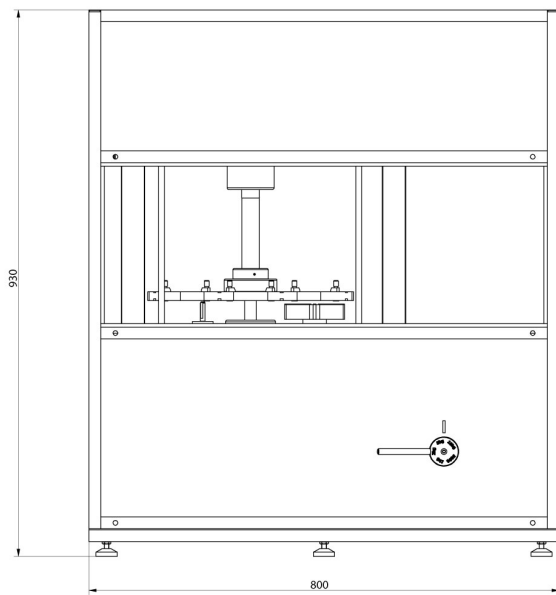
# Device dimensions



AK-4/100, AK-4/1000,  
AK-4/1000.1



AK-4/2000, AK-4/5000,  
AK-4/5000.1



AK-4/10000, AK-4/16000

