



More information on the website
radwag.com/us/info,w1,35l

C315.3/6.F1.R Load Cell Platform Scale



The drawings, photos and graphics used are for illustrative purposes only.

Functions

 Plus/Minus Control

 Percent Weighing

 Totalizing

 Parts counting

 Internal battery

 Peak hold

 Newton unit measurement

 GLP Procedures

 Animal weighing

 ALIBI Memory

Datasheet

| | |
|------------------------|--------|
| Maximum capacity [Max] | 3/6 kg |
| Minimum load | 20 g |
| Readability [d] | 1/2 g |
| Verification unit [e] | 1/2 g |
| Tare range | -6 kg |
| OIML Class | III |

| Physical parameters | |
|-----------------------------|-------------------------------------|
| Display | LCD (backlit) |
| Weighing pan dimensions | 300×300 mm |
| Packaging dimensions | 570×390×170 mm |
| Net weight | 5,3 kg |
| Gross weight | 6,1 kg |
| Construction | |
| Protection class | IP 65 construction, IP 43 terminal |
| Construction | mild steel St3S |
| Weighing pan material | Stainless steel AISI304 |
| Communication interface | RS232 |
| Optional interfaces | RS232 |
| Power supply | 100 – 240 V AC 50/60 Hz and battery |
| Power consumption max. | 5 W |
| Operation time on batteries | max 8h |
| Operating temperature | -10 ÷ +40 °C |
| Storage temperature | -10 ÷ +50 °C |
| Relative humidity | 10% – 85% RH no condensation |
| Indicator | C315 |



Extra payment for verification



Accessories

Antivibration tables
 Power Adapters
 RS 232 cables (scale - printer)
 Cigarette lighter receptacle power supply cables
 Displays
 RS 232, RS 485 cables
 RS 232 – Ethernet Converter

AP2-1 Current Loop Unit
 RS 232, RS 485 cables
 RS 232 – USB Converter
 RS 232 cables (scale - printer)
 RS 232 – RS 485 Converter
 Receipt Printer
 Stands, wall mounting kits and mounting brackets

Software

- RAD Key [WX-010-0005]
- Scale Editor - EWAG 2.1 [WX-010-0173]

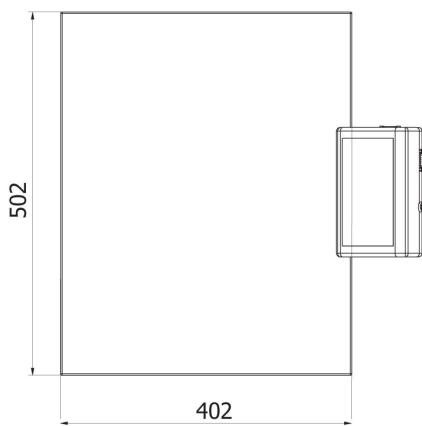
- R Panel [WX-010-0187]

Device dimensions



C315.F1.M

C315.F1.R



C315.C2.M

C315.C2.K