



More information on the website
radwag.com/us/info,w1,2W9

HY10.6.F1.K Multifunctional Scale



The drawings, photos and graphics used are for illustrative purposes only.

Functions

-  Dosing
-  Labelling
-  Plus/Minus Control
-  Percent Weighing
-  Totalizing
-  Parts counting
-  Peak hold
-  Formulation
-  Newton unit measurement
-  Statistics
-  Checkweighing
-  GLP Procedures
-  Animal weighing
-  Differential weighing
-  Replaceable unit
-  Statistical Quality Control
-  ALIBI Memory
-  Transactions

Datasheet

| | |
|------------------------|------|
| Maximum capacity [Max] | 6 kg |
| Minimum load | 40 g |
| Readability [d] | 2 g |
| Verification unit [e] | 2 g |

| | |
|--|---|
| Tare range | -6 kg |
| Max readability for non-verified scale | 0,2 g |
| Adjustment | external |
| OIML Class | III |
| Physical parameters | |
| Display | 10,1" graphic colour touchscreen |
| Cable length | 1 m |
| Weighing pan dimensions | 300×300 mm |
| Packaging dimensions | 390×570×390 mm |
| Net weight | 10,3 kg |
| Gross weight | 12,2 kg |
| Construction | |
| Protection class | IP 65 construction, IP 68 (1h max)/69 terminal |
| Communication interface | 2×RS232, 2×USB-A, Ethernet, 4 IN / 4 OUT (digital) |
| Optional interfaces | module Wi-Fi 802.11 b/g/n, module Profibus (DP SLAVE), module RS485, module PROFINET (RJ45), analog output module (4-20mA, 0-20mA, 0-10V) , 12IN / 12OUT (IN – 5-24 VDC, OUT – max 30 VDC, 0,5 ADC) |
| Power supply | 100 – 240 V AC 50/60 Hz |
| Operating temperature | -10 – +40 °C |
| Relative humidity | 10% – 85% RH no condensation |

* Wi-Fi® is a registered trademark of Wi-Fi® Alliance.



Extra payment for verification



Accessories

RS 232 cables (scale - printer)
 Transponder card readers
 RS 232 cables (scale - ZEBRA printer)
 RS 232 cables (scale - Ethernet)
 Displays
 RS 232, RS 485 cables
 IN/OUT Cables
 Barcode scanners
 Label Printers

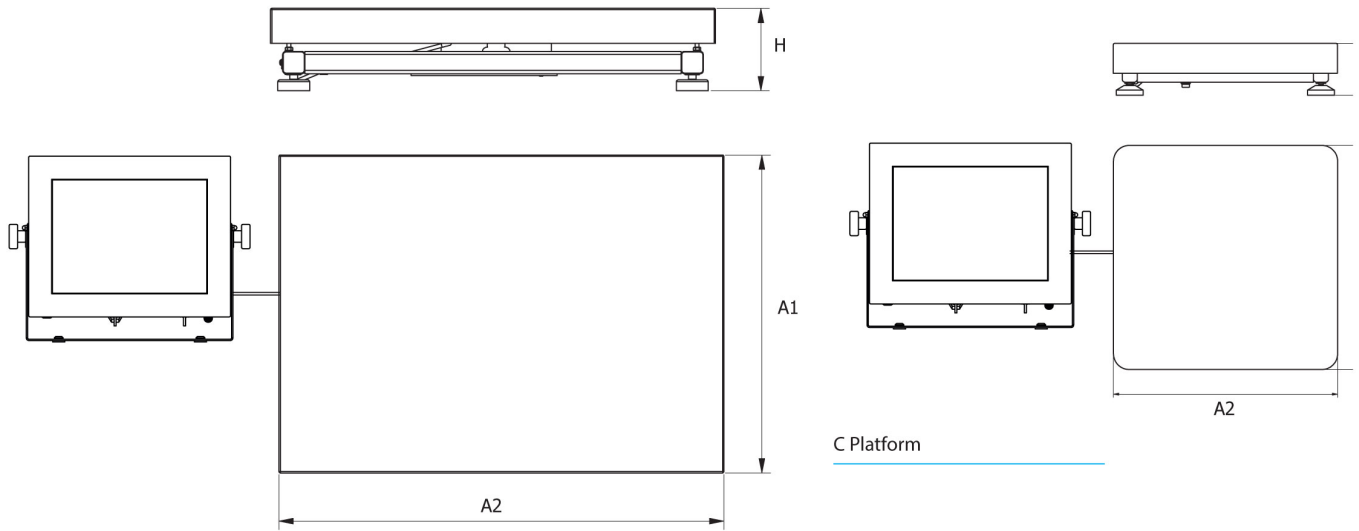
Stands, wall mounting kits and mounting brackets
 Keypad, external switches
 Receipt Printer
 F1 Mass Standard - knob weights without adjustment chamber, set
 USB cable (scale - printer)
 Additional Weighing platforms Module
 Additional modules
 RS 232 – USB Converter

Software

- E2R Weighing [WX-010-0099]
- E2R PGC [WX-010-0051]
- RAD Key [WX-010-0005]
- Label Editor R02 [WX-010-0094]
- Scale Editor - EWAG 2.1 [WX-010-0173]

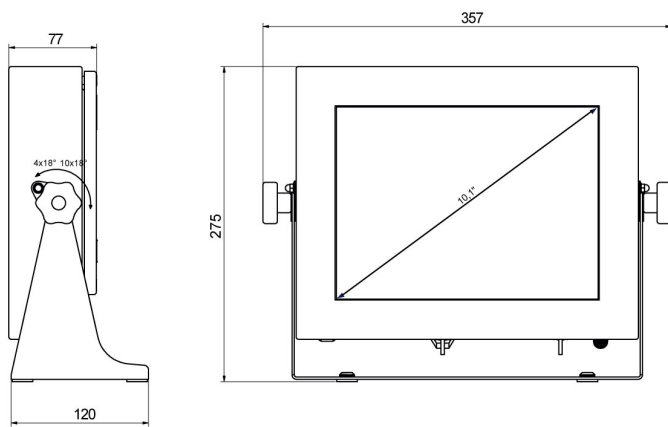
- E2R Formulations [WX-010-0043]
- E2R Weighing Records [WX-010-0038]
- Audit Trail Reader [WX-010-0186]
- RADWAG Remote Desktop [WX-010-0107]
- RADWAG Development Studio [WX-010-0104]

Device dimensions



F1 Platform

C Platform



PUE HY10

| Scale type | A1 | A2 | H |
|------------|-----|-----|--------|
| HY10.C2.K | 400 | 500 | 103 ±3 |
| HY10.C3.K | 500 | 700 | 130 ±3 |
| HY10.F1.K | 300 | 300 | 70 ±3 |

dimensions in mm