



More information on the website
radwag.com/us/info,w1,253

MWLH 10 Electromagnetic Compensation Weighing Module



The drawings, photos and graphics used are for illustrative purposes only.

Datasheet

| | |
|------------------------|-------------------------|
| Maximum capacity [Max] | 10 kg |
| Minimum load | 0,5 g |
| Preload range | 1 kg |
| Readability [d] | 0,01 g |
| Tare range | -10 kg |
| Repeatability | 0,01 g |
| Linearity | ±0,02 g |
| Stabilization time | 3 s |
| Adjustment | external |
| Construction | |
| Protection class | IP 65 |
| Power supply | 100 – 240 V AC 50/60 Hz |
| Operating temperature | +10 ÷ +40 °C |
| Relative humidity | 15% ÷ 80% |

Physical parameters

| | |
|-------------------------|----------------|
| Weighing pan dimensions | 212×174 mm |
| Device dimensions | 341×236×164 mm |
| Packaging dimensions | 580×413×360 mm |



Accessories

RS 232 cables (scale - Ethernet)
RS 232, RS 485 cables
IN/OUT Cables

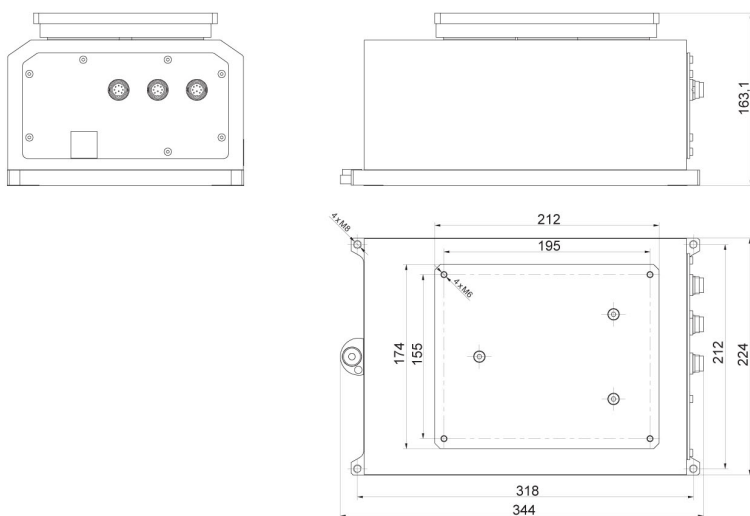
Powerbanks
RS 232 – USB Converter

Software

• MWMH Manager [WX-010-0103]
• Scale Editor - EWAG 2.1 [WX-010-0173]

• RAD Key [WX-010-0005]
• RADWAG Development Studio [WX-010-0104]

Device dimensions



[MWLH](#)