



More information on the website
radwag.com/us/info,w1,1H6

MPS 6000 Weighing Module



The drawings, photos and graphics used are for illustrative purposes only.

Datasheet

| | |
|-------------------------|----------------------------|
| Maximum capacity [Max] | 6000 g |
| Minimum load | 500 mg |
| Preload range | 600 g |
| Readability [d] | 10 mg |
| Tare range | -6000 g |
| Repeatability | 15 mg |
| Linearity | ±30 mg |
| Stabilization time | 1,5 s |
| Adjustment | internal (automatic) |
| Construction | |
| Protection class | IP 32 |
| Housing | aluminum |
| Communication interface | 2×RS232, 2×IN PRINT / TARA |
| Power supply | 100 – 240 V AC 50/60 Hz |

Operating temperature +10 ÷ +40 °C

Relative humidity 40% ÷ 80%

Physical parameters

Weighing pan dimensions $\varnothing 115$ mm

Device dimensions 293×190×112 mm

Packaging dimensions 515×340×295 mm

Net weight 4,1 kg



Accessories

Antivibration tables
Professional Weighing Tables
RS 232, RS 485 cables

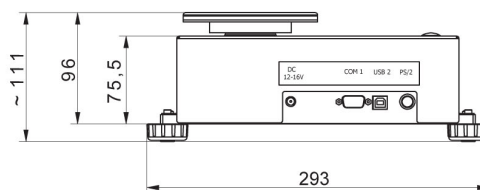
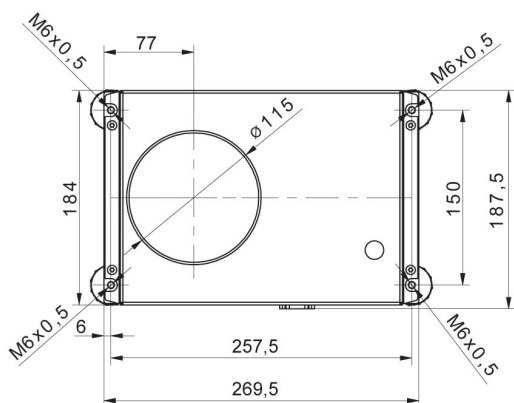
RS 232 – USB Converter
RS 232 cables (scale - printer)

Software

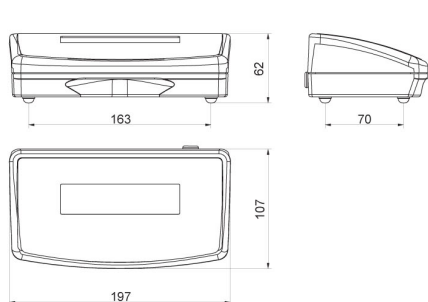
• RAD Key [WX-010-0005]
• RADWAG Development Studio [WX-010-0104]

• R Panel [WX-010-0187]

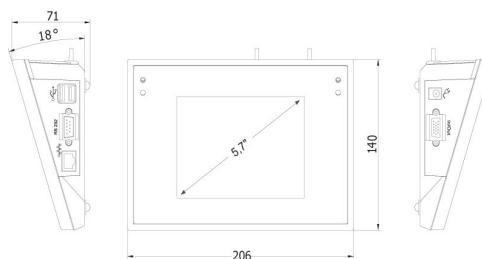
Device dimensions



MPS



R operator panel



Y operator panel