



More information on the website
radwag.com/us/info,w1,1EJ

HX7.3.H1 Multifunctional Scale

WP-122-0003



The drawings, photos and graphics used are for illustrative purposes only.

Functions



Dosing



Percent Weighing



Parts counting



Formulation



Replaceable unit



ALIBI Memory

Datasheet

Maximum capacity [Max]	3 kg
Minimum load	20 g
Readability [d]	1 g
Verification unit [e]	1 g
Tare range	-3 kg
Max readability for non-verified scale	0,2 g
OIML Class	III
Physical parameters	
Display	7" graphic colour

Physical parameters	
Weighing pan dimensions	150×200 mm
Packaging dimensions	310×370×460 mm
Net weight	7,8 kg
Gross weight	9 kg
Construction	
Protection class	IP 66 / 67 construction, IP 66 / 67 terminal
Keypad	membrane
Construction	Stainless steel AISI304
Weighing pan material	Stainless steel AISI304
Communication interface	
Communication interface	RS232, USB-A, 4IN, 4OUT, Ethernet, Modbus RTU
Optional interfaces	USB (M12 4P), Ethernet, module RS485, module RS232, module Profibus (Dp SLAVE), PROFINET (RRJ45), EtherNet/IP (RRJ45), 12 IN, 12 OUT, 4-20mA, 0-10V
Power supply	
Power supply	100 – 240 V AC 50/60 Hz
Power consumption max.	25 W
Optional power supply	12 – 24 V DC
Operating temperature	
Operating temperature	-10 – +40 °C
Storage temperature	
Storage temperature	-10 – +50 °C
Relative humidity	10% – 80% RH no condensation
Indicator	PUE HX7
Number of buttons	22
Features of use	
Max number of platforms	2



Additional fee for verification



Accessories (Additional Fee)

RS 232 cables (scale - printer)

Roller table

RS 232 cables (scale - ZEBRA printer)

Displays

Power Adapters

RS 232, RS 485 cables

USB cable (scale - printer)

IN/OUT Cables

Barcode scanners

Label Printers

Stands, wall mounting kits and mounting brackets

!Keypad, external switches

USB adapter

Receipt Printer

Additional Weighing platforms Module

RS 232 – USB Converter

Additional modules

Software (Additional Fee)

• E2R Weighing [WX-010-0099]

• RAD Key [WX-010-0005]

• Alibi Reader PC Software [WX-010-0114]

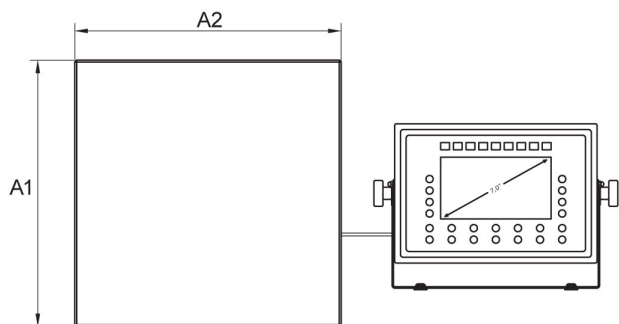
• RADWAG Development Studio [WX-010-0104]

• E2R Weighing Records [WX-010-0038]

• Label Editor R02 [WX-010-0094]

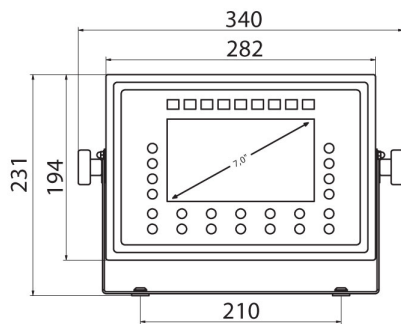
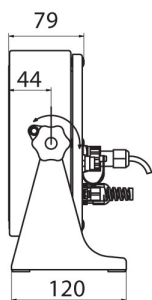
• Scale Editor - EWAG 2.1 [WX-010-0173]

Device dimensions



H Platform

	A1	A2	H
HX7.H1	200	150	85±3
HX7.H2	250	300	103±3
HX7.H3	410	410	98±2
HX7.H4	500	500	155±5
HX7.H3/5	400	600	155±5
HX7.H5	600	600	155±5
HX7.H6	800	800	135±5



PUE HX7