



More information on the website  
[radwag.com/us/info,w1,168](http://radwag.com/us/info,w1,168)

# HX7.4N.300/600.H2 Multifunctional Stainless Steel Ramp Scale



The drawings, photos and graphics used are for illustrative purposes only.

## Functions



Dosing



Percent Weighing



Parts counting



Formulation



Replaceable unit



ALIBI Memory

## Datasheet

|                            |                   |
|----------------------------|-------------------|
| Maximum capacity [Max]     | 300/600 kg        |
| Minimum load               | 2 kg              |
| Readability [d]            | 100/200 g         |
| Verification unit [e]      | 100/200 g         |
| Tare range                 | -600 kg           |
| OIML Class                 | III               |
| <b>Physical parameters</b> |                   |
| Display                    | 7" graphic colour |
| Weighing pan dimensions    | 1100×1200 mm      |

| Physical parameters     |   |
|-------------------------|---|
| Packaging dimensions    | 1500×1300×600 mm  |
| Net weight              | 149,7 kg  |
| Gross weight            | 186,3 kg  |
| Cable length            | 3 m   |
| Indicator               | PUE HX7   |
| Number of buttons       | 22  |
| Construction            |   |
| Protection class        | IP 68 construction, IP 66/68 indicator  |
| Keypad                  | membrane  |
| Construction            | Stainless steel AISI304   |
| Communication interface | RS232, USB-A, 4IN, 4OUT, Ethernet, Modbus RTU   |
| Optional interfaces     | USB (M12 4P), Ethernet, module RS485, module RS232, module Profibus (Dp SLAVE), PROFINET (RRJ45), EtherNet/IP (RRJ45), 12 IN, 12 OUT, 4-20mA, 0-10V |
| Power supply            | 100 – 240 V AC 50/60 Hz   |
| Power consumption max.  | 25 W  |
| Optional power supply   | 12-24V DC   |
| Operating temperature   | -10 ÷ +40 °C  |
| Storage temperature     | -10 ÷ +50 °C  |
| Relative humidity       | 10% ÷ 80% RH no condensation  |
| Features of use         |   |
| Max number of platforms | 2   |



Extra payment for verification



## Accessories

RS 232 cables (scale - printer)  
 RS 232 cables (scale - ZEBRA printer)  
 Displays  
 Power Adapters  
 RS 232, RS 485 cables  
 USB cable (scale - printer)  
 IN/OUT Cables  
 Barcode scanners

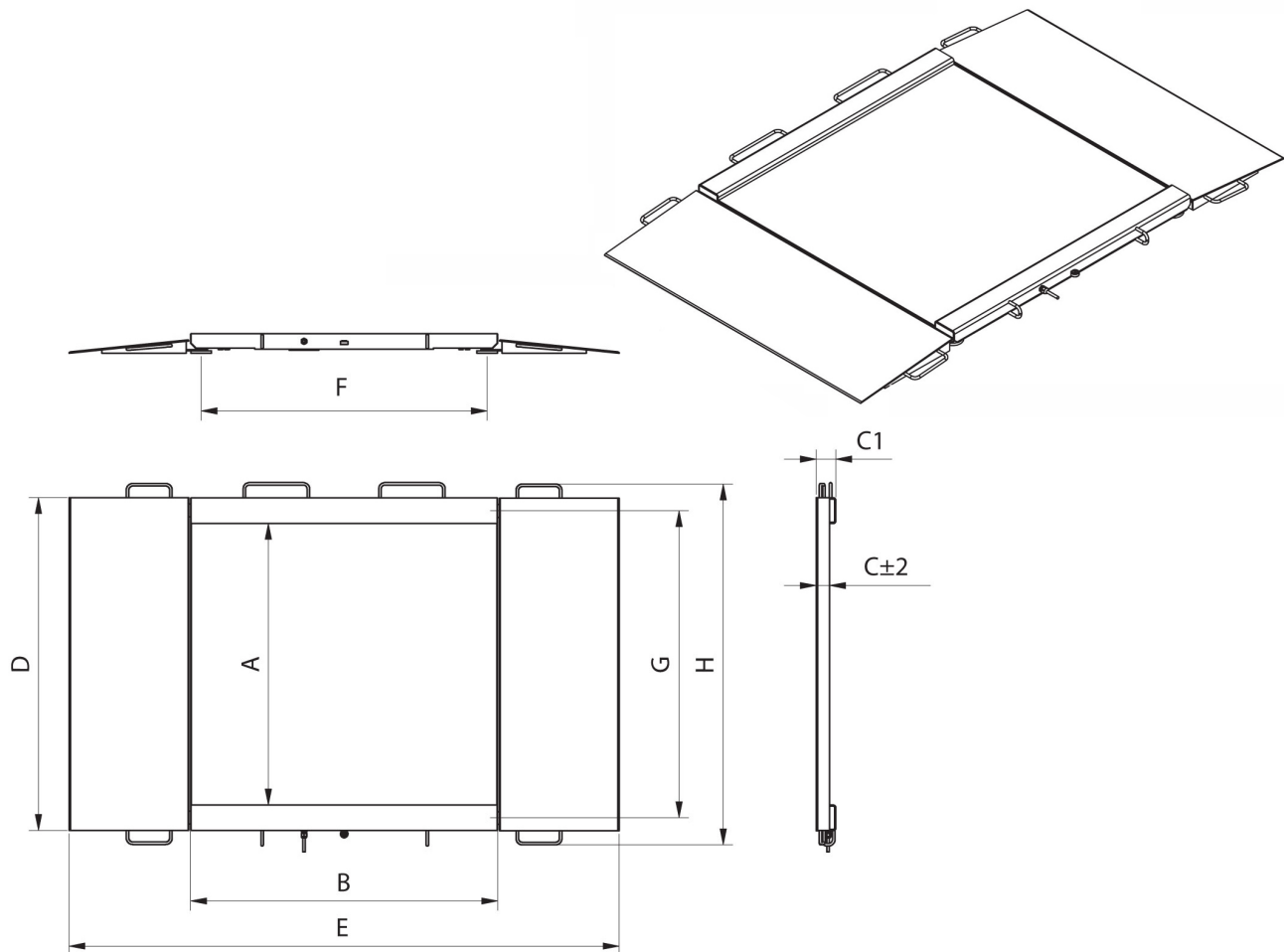
Label Printers  
 Stands, wall mounting kits and mounting brackets  
 Keypad, external switches  
 USB adapter  
 Receipt Printer  
 Additional Weighing platforms Module  
 RS 232 – USB Converter  
 Additional modules

## Software

- E2R Weighing [WX-010-0099]
- RAD Key [WX-010-0005]
- Alibi Reader PC Software [WX-010-0114]
- RADWAG Development Studio [WX-010-0104]

- E2R Weighing Records [WX-010-0038]
- Label Editor R02 [WX-010-0094]
- Scale Editor - EWAG 2.1 [WX-010-0173]

## Device dimensions



| Model          | Max     | A    | B    | C    | C1 | D    | E    | F    | G    | H    |
|----------------|---------|------|------|------|----|------|------|------|------|------|
| HX7.4N.150.H1  | 150 kg  | 840  | 860  | 45,5 | 76 | 1040 | 1710 | 778  | 940  | 1170 |
| HX7.4N.300.H1  | 300 kg  | 840  | 860  | 45,5 | 76 | 1040 | 1710 | 778  | 940  | 1170 |
| HX7.4N.600.H1  | 600 kg  | 840  | 860  | 45,5 | 76 | 1040 | 1710 | 778  | 940  | 1170 |
| HX7.4N.150.H2  | 1500 kg | 1100 | 1200 | 45,5 | 76 | 1300 | 2050 | 1118 | 1200 | 1430 |
| HX7.4N.300.H2  | 300 kg  | 1100 | 1200 | 45,5 | 76 | 1300 | 2050 | 1118 | 1200 | 1430 |
| HX7.4N.600.H2  | 600 kg  | 1100 | 1200 | 45,5 | 76 | 1300 | 2050 | 1118 | 1200 | 1430 |
| HX7.4N.1500.H2 | 1500 kg | 1100 | 1200 | 52,5 | 76 | 1300 | 2150 | 1118 | 1200 | 1430 |
| HX7.4N.300.H3  | 300 kg  | 1200 | 1500 | 45,5 | 76 | 1400 | 2350 | 1418 | 1300 | 1530 |
| HX7.4N.600.H3  | 600 kg  | 1200 | 1500 | 45,5 | 76 | 1400 | 2350 | 1418 | 1300 | 1530 |
| HX7.4N.1500.H3 | 1500 kg | 1200 | 1500 | 52,5 | 76 | 1400 | 2450 | 1418 | 1300 | 1530 |
| HX7.4N.300.H4  | 300 kg  | 1500 | 1500 | 52,5 | 76 | 1700 | 2450 | 1418 | 1600 | 1830 |
| HX7.4N.600.H4  | 600 kg  | 1500 | 1500 | 52,5 | 76 | 1700 | 2450 | 1418 | 1600 | 1830 |
| HX7.4N.1500.H4 | 1500 kg | 1500 | 1500 | 52,5 | 76 | 1700 | 2450 | 1418 | 1600 | 1830 |

\* dimensions in mm