



More information on the website
radwag.com/us/info,w1,0TW

PS 10100.R2.M Precision Balance



The drawings, photos and graphics used are for illustrative purposes only.

Functions

-  Autotest
-  Dosing
-  Percent Weighing
-  Totalizing
-  Parts counting
-  Peak hold
-  Newton unit measurement
-  Statistics
-  Checkweighing
-  Under-pan weighing
-  GLP Procedures
-  Animal weighing
-  Density determination

Datasheet

Maximum capacity [Max]	10100 g
Minimum load	-
Readability [d]	10 mg
Verification unit [e]	-
Tare range	-10100 g
Standard repeatability [5% Max]	8 mg

Standard repeatability [Max]	12 mg
Standard minimum weight (USP)	10 g
Standard minimum weight (U=1%, k=2)	1 g
Linearity	±20 mg
Stabilization time	1,5 s
Adjustment	internal (automatic)
OIML Class	-
Sensitivity temperature drift	$2 \times 10^{-6} / ^\circ\text{C} \times \text{Rt}$
Physical parameters	
Leveling system	manual
Display	LCD (backlit)
Delivery components	Balance, weighing pan, weighing pan shield, power supply
Weighing pan dimensions	195×195 mm
Device dimensions	333×206×107 mm
Packaging dimensions	475×380×345 mm
Net weight	4,5 kg
Gross weight	5,5 kg
Construction	
Protection class	IP 43
Communication interface	2×RS232 ¹ , USB-A, USB-B, Wi-Fi (option)
Power supply	Adapter: 100 – 240V AC 50/60Hz 0,6A; 12V DC 1,2A Balance: 12 – 15V DC 0,4A max
Power consumption	4 W
Operating temperature	+10 – +40 °C
Storage temperature	-20 – +50 °C
Relative humidity	40% – 80%

* Wi-Fi® is a registered trademark of Wi-Fi® Alliance.



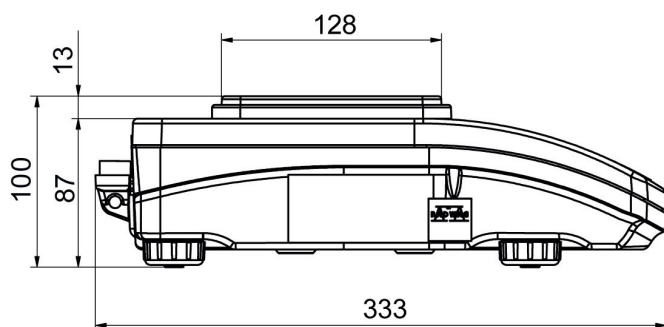
Accessories

!Balance Storage Case
 Antivibration tables
 Power Adapters
 Cigarette lighter receptacle power supply cables
 USB cable (scale - printer)
 Barcode scanners
 RS 232, RS 485 cables

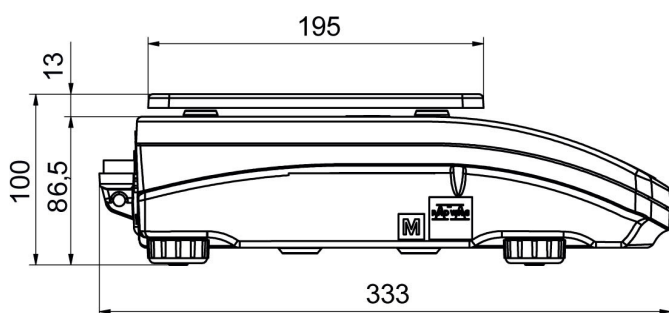
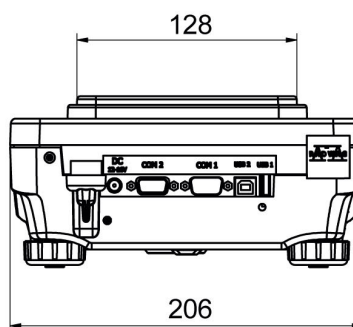
Displays
 Density determination KIT
 Protective cover for balances
 Receipt Printer
 RS 232, RS 485 cables
 Under-pan weighing
 RS 232 cables (scale - printer)

Software

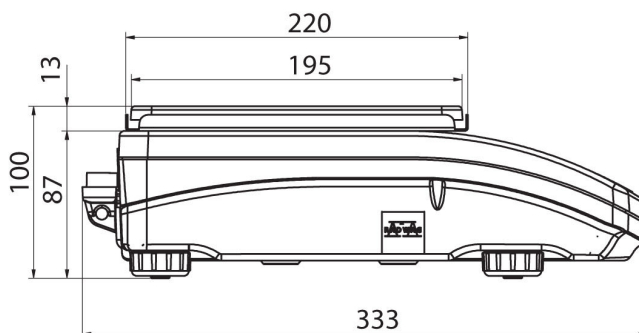
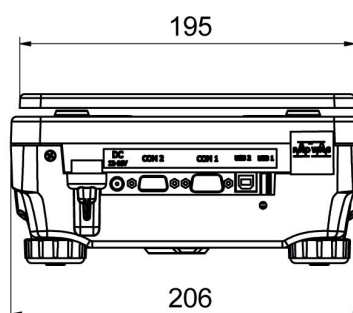
Device dimensions



PS R, d = 1mg



PS R, d = 10 mg



PS R.M, d = 10 mg

