

MULTIFUNCTIONAL STAINLESS SCALES TMX/H



release date 11-04-2014



TMX/H Multifunctional Scales are manufactured either in standard version, designed for general purposes and equipped with E2R module, or extended versions as:

- TMX/E/H Labelling Scales
- TMX/D/H Dosing Scales
- TMX/R/H Formula Making Scales

TMX/H Multifunctional Scales comprise PUE 5 terminal and a weighing platform, both manufactured of stainless steel. Each scale together with the weighing pan is entirely made of OH18N9 stainless steel and it is equipped with the weighing terminal featuring a 15.6" panoramic touch screen, which operates at a resolution of 1366 x 768 pixels.

It is possible to order scales with PUE 5.19 terminal featuring 19" touch screen display operating at a resolution of 1280 x 1024 pixels.

- Parts counting
- Totalizing
- Filling
- Checkweighing
- Labeling
- Formulation

All the TMX series scales differ in the scope of functionality, wherein all the extended versions comprise functions typical of standard version.

All TMX scales cooperate with E2R SYSTEM related to the various phases of a weighing process.

TMX/H multifunctional scales are manufactured in a version wherein connection of a weighing platform and a terminal is possible only by means of a cable. The cable is:

- 1 meter long for H1 platforms,
- 2.5 meters long for H2 platforms.

The scales can cooperate with an additional weighing platform.

E2R SYSTEM is a modular system intended for companies that operate in food, meat, fish, sugar, chemical, and metallurgic industry. Its complex functionality ensures full support and automation of a given company production process. Due to the fact that the system operation is based on ETHERNET it may be extended with numerous weighing platforms. This PC software is useful for employees working on a production line and in a warehouse.

TMX scales may comprise the following modules: Terminal E2R Weighing Records, Terminal E2R Formulas and Terminal E2R Transactions.

Technical data:

	TMX 1,5/3/H1	TMX 3/6/H1	TMX 1,5/3/H2	TMX 3/6/H2	TMX 6/15/H2	TMX 15/30H2
	TMX/E 1,5/3/H1	TMX/E 3/6/H1	TMX/E 1,5/3/H2	TMX/E 3/6/H2	TMX/E 6/15/H2	TMX/E 15/30H2
	TMX/D 1,5/3/H1	TMX/D 3/6/H1	TMX/D 1,5/3/H2	TMX/D 3/6/H2	TMX/D 6/15/H2	TMX/D 15/30H2
	TMX/R 1,5/3/H1	TMX/R 3/6/H1	TMX/R 1,5/3/H2	TMX/R 3/6/H2	TMX/R 6/15/H2	TMX/R 15/30H2
Max capacity	1,5 kg / 3 kg	3 kg / 6 kg	1,5 kg / 3 kg	3 kg / 6 kg	6 kg / 15 kg	15 kg / 30 kg
Min capacity	10 g	20 g	10 g	20 g	40 g	100 g
Readability	0,5 g / 1 g	1 g / 2 g	0,5 g / 1 g	1 g / 2 g	2 g / 5 g	5 g / 10 g
Tare range	-3 kg	-6 kg	-3 kg	-6 kg	-15 kg	-30 kg
Pan size	150×200 mm	150×200 mm	250×300 mm	250×300 mm	250×300 mm	250×300 mm
Working temperature	0° ÷ +40° C					
Atmospheric humidity	10÷85% RH no condensation					
IP rating	IP 68 - construction, IP 67 - indicator					
Interface	4×USB 2.0 (load carrying capacity 500mA), 2×RS 232C, 1×RS 485, 2×Ethernet					
Optional module	4 inputs / 4 outputs, additional 3 platform, Interface Profibus					
Power supply	100 ÷ 240 V AC 50÷60Hz					
Power consumption	45 W					
Display	Terminal PUE 5.15: LCD 15,6" (1366 x 768) infrared controled panel Terminal PU 5.19: LCD 19" (1280 x 1024) infrared controled panel					
Net weight / Gross weight	12,5 kg / 14,5 kg		12,5 kg / 14,5 kg			
Packaging dimensions - indicator	560×360×240 mm		560×360×240 mm			
Packaging dimensions - platform	520×260×290 mm		520×260×290 mm			

Formula making scales WPW/H:

The software of formula making scales series TMX - TERMINAL E2R FORMULA enables weighing of selected components according to production orders. Defining the formulas and production orders can be executed from a terminal or through the supervising software with possibility of declaring the tolerance limits for each component.

Functional Features:

- the availability of databases of goods, operators, contractors, warehouses, formulas, executed contracts, tares (packages), etc.
- scaling bulk being a part of a formula (weight factor of the recipe)
- the ability to set the tare mass of individual components during formulation process,
- declaration of the number of cycles for the given formula,
- the possibility of interruption a formula making process at any time,
- cooperation with external TARE, ENTER, START, STOP, FAILURE buttons
- the possibility of using up to 12 inputs / 12 outputs (opto-isolated)
- execution of production orders
- preview of the weighing records on a scale terminal as a table with weighing data or a table of orders,
- simplified reporting module allows the report to be generated by the set filters:
 - code or the name of the product,
 - code or the name of the operator,
 - code or the name of the contractor,
 - code or the name of the recipe,
 - date of weighing,
 - number of batches,
 - number of weight.
- the possibility of summing filtered data in a form of:
 - the sum of the masses of weighted component,
 - the number of measurements for a given component,
 - average of the measurements of weighted component,
 - minimum mass of weighted component,
 - maximum mass of weighted component,
- support for external devices:
 - receipt printers,
 - label printers,
 - bar code readers,
 - proximity card readers.

The ability to work with a computer program E2R.

Dosing scales TMX/H:

Metering scales are linked to an external automation system, including controls and regulations. These devices allow automatic, semi-automatic or manual dosing of loose materials and liquids.

Metering scales software dosing series TMX - TERMINAL E2R allows weighing the chosen components according to production orders. Defining formulas and production orders can be executed from a terminal or through the parent with the possibility of declaring the scope of tolerance for the component.

Functional Features:

- the availability of databases of goods, operators, contractors, magazines, recipes, executed contracts, etc.
- scaling bulk being a part of the recipe (weight factor of the recipe)
- the ability to set the tare mass of individual components in the dispensing process,
- declaration of the number of cycles for the given recipe,
- the possibility of interruption at any time in the process of dispensing,
- cooperation with external TARA, ENTER, START, STOP, FAILURE buttons
- the possibility of using up to 12 inputs / 12 outputs
- execution of production orders
- preview of the weights on a weight terminal as a table of weighings or a table of orders,
- simplified reporting module allows the report to be generated by the set filters:
 - code or the name of the product,
 - code or the name of the operator,
 - code or the name of the contractor,
 - code or the name of the recipe,
 - date of weighing,
 - number of batches,
 - number of weight.
- the possibility of filtered data in a form of summary:
 - the sum of the masses of weighted component,
 - the number of measurements for a given component,
 - average of the measurements of weighted component,
 - minimum mass of weighted component,
 - maximum mass of weighted component,
- support for external devices:
 - receipt printers,
 - label printers,
 - bar code readers,
 - proximity card readers.

The ability to work with a computer program E2R.

Labeling scales TMX/H:

Labeling scales consist of PUE 5 and weighing platform. The labels printer Citizen CLP 521, 621 or 7201e increases the functionality of scales.

Labeling system is used to print labels for marking weighted goods e.g. in the process of packing. The program can generate the standard labels for sticking single goods.

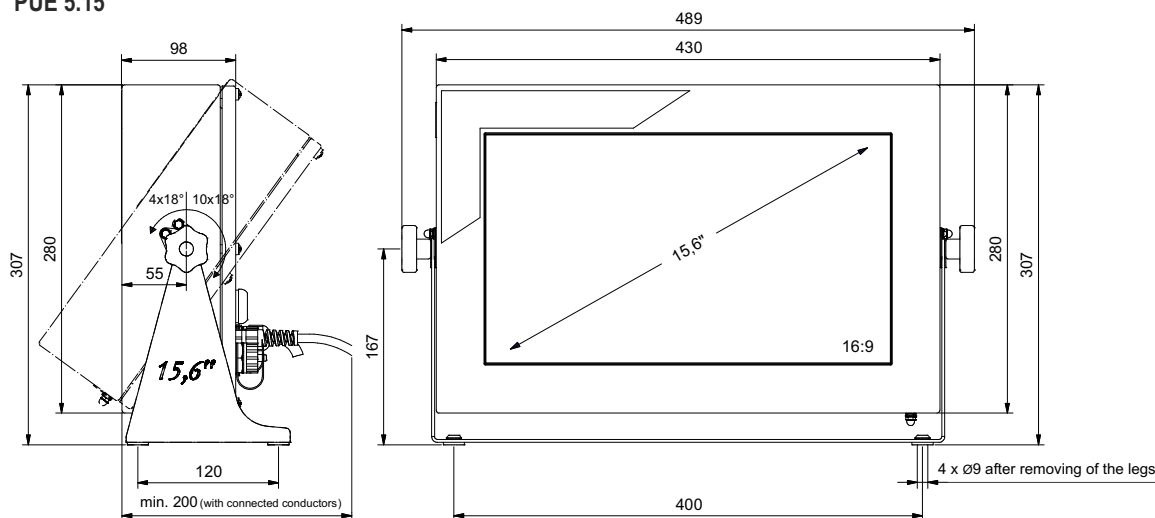
The functionality of the software:

- a function of weight control (weighing control + / -),
- previewing weighings carried out on weighing terminal as a table of weights,
- simplified reporting module allowing the report to be generated,
- the creation of labels' designs from labels weighing terminal,
- identification of goods by using the code ean-13 and ean-128,
- quick search using the range of barcode scanner,
- the availability of databases: the operators, goods, contractors, warehouses, etc.

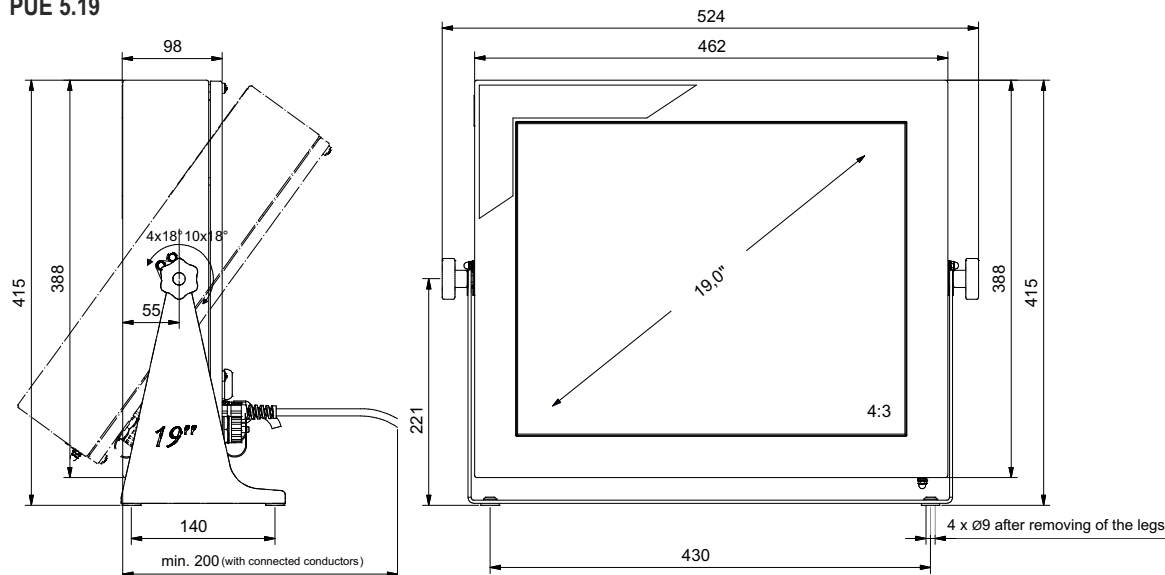
The application allows you to make measurements and at the same time to save them in a local database or on the server. Networked terminals allow transmission of the measurements to the parent database installed on the server. The ability to work with a computer program ACCOUNTING E2R.

Dimensions:

PUE 5.15



PUE 5.19



Accessories:

Epson, Zebra thermal printer	"Tare" and "Print" button
Epson impact printer	E2R Weighing records
Label printer Citizen	E2R Transactions
Bar Code Scanner	E2R Formulas
Transponder card reader: CK-01	Cable Ethernet (scale - ethernet) "PT0212"
Cable RS 232 (scale - computer) "PT0020"	USB converter "PT0084"
Cable RS 232 (scale, Epson, Citizen printer) "PT0019"	Cable USB (scale - Epson and Citizen printer) "PT0087"

RADWAG Balances & Scales

26-600 Radom • 28 Bracka Street • POLAND • Phone: +48 48 3848800 • Fax: +48 48 3850010 • www.radwag.com • e-mail:export@radwag.com